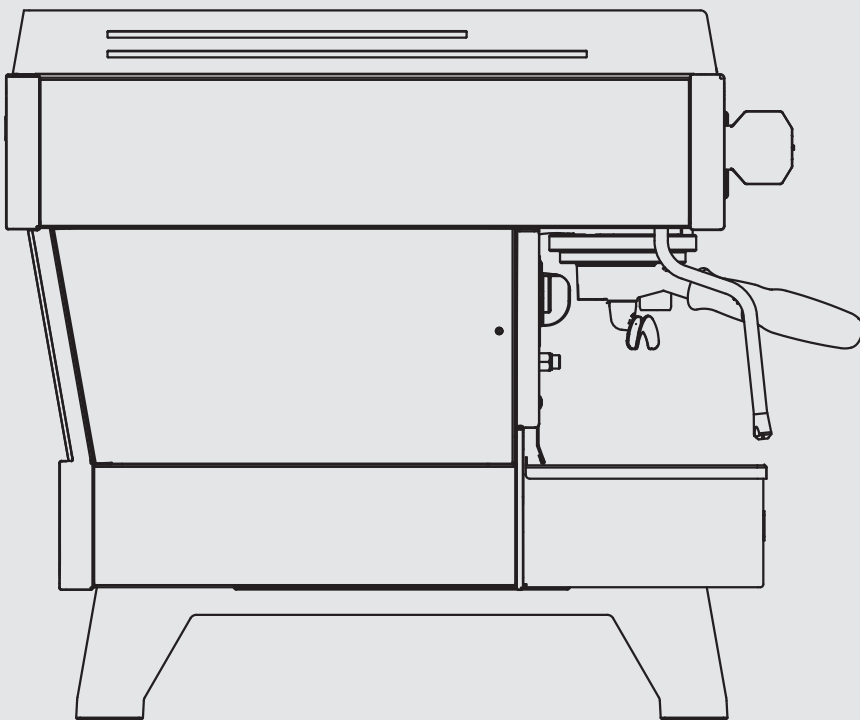


# parts catalog

## linea pb





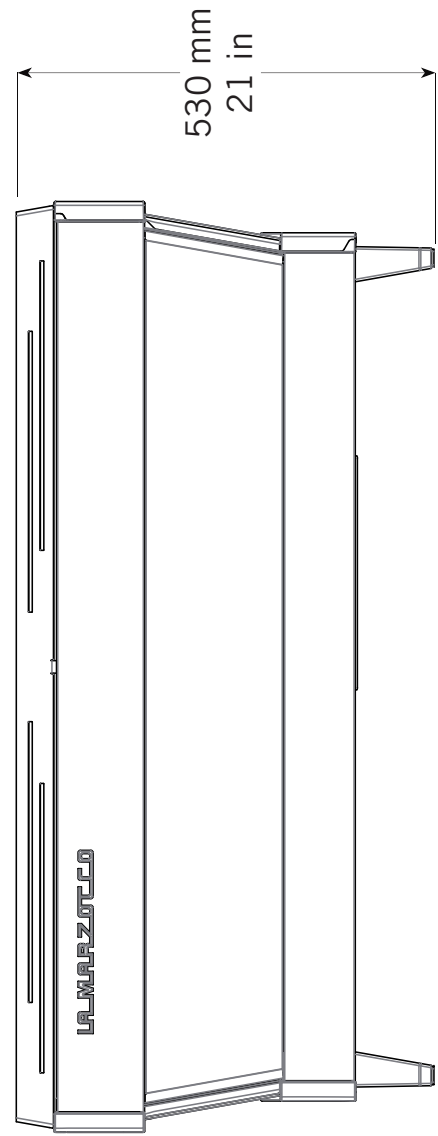
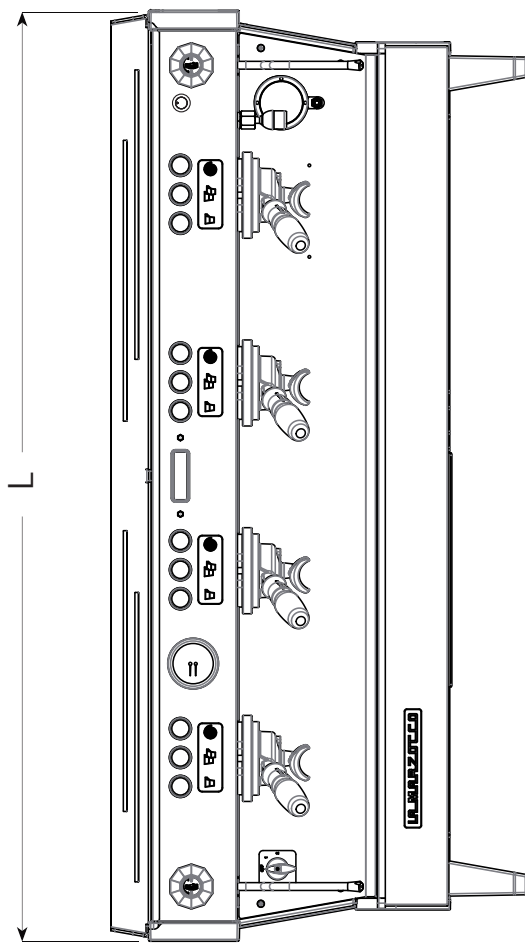
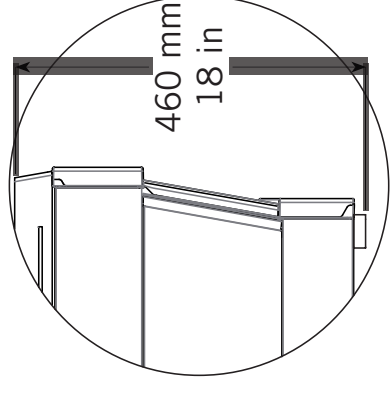
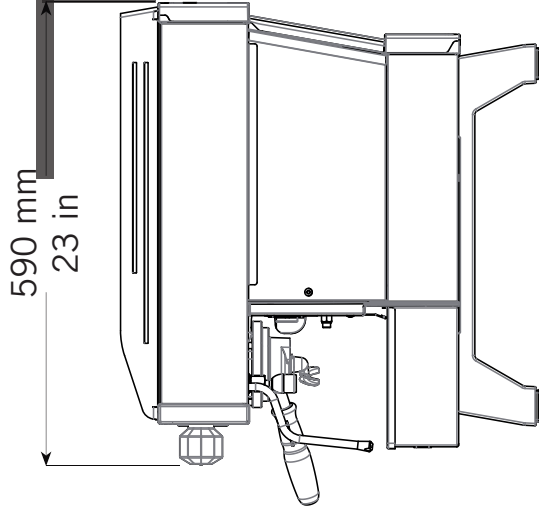
## INDEX

		Pag.	Ver.
Specifications	Caratteristiche Tecniche	4	2.3
Body Panel Assembly	Carrozzeria	6	2.3
Control Panel Assembly	Pannello di Controllo	10	2.3
Steam and Hot Water Assembly	Lancia Vapore e Acqua Calda	16	2.3
Hydraulic Assembly	Impianto Idraulico	20	2.3
Fittings and Valves	Raccordi e Valvole	28	2.3
Coffee Boiler	Caldaia Caffè	32	2.3
Steam Boiler	Caldaia Vapore	44	2.3
Thermostatic Valve Version	Versione con Valvola Termostatica	46	2.3
Preheater Version	Versione con Preriscaldatore	50	2.3
Thermostatic Valve and Preheater Version	Versione con Valvola Termostatica e Preriscaldatore	52	2.3
Single Boiler Version	Versione con Caldaie Singole	58	2.3
Scale Version	Versione con Bilance	72	2.3
Heating Elements	Resistenze Elettriche	78	2.3
Electrical System and Pump	Impianto Elettrico e Pompa	82	2.3
Portafilter Assembly	Portafiltri	84	2.3
Hose and Accessories	Tubi e Accessori	86	2.3



**la marzocco**  
handmade in florence

## SPECIFICATIONS





**la marzocco**  
handmade in florence

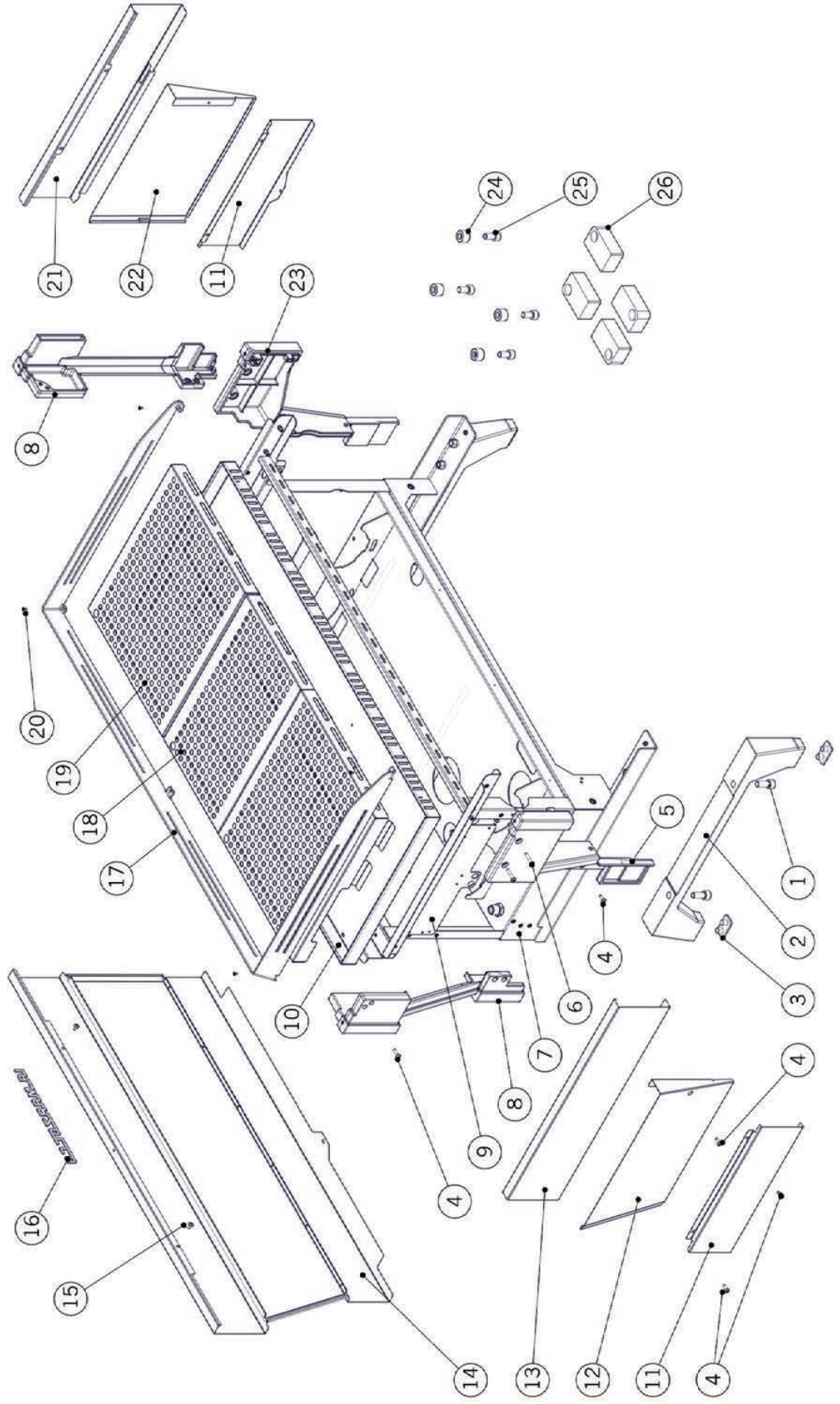
## SPECIFICATIONS

		Caratteristiche Tecniche		
L	mm	710	950	1190
	in	27,95	37,4	46,85
Machine weight	Kg	61	77	117
	lb	134,5	170	258
Shipping weight	Kg	86	108	132
	lb	190	238	291
Electrical Voltage	VAC	200VAC Single/Three Phase	200VAC Single/Three Phase	200VAC Single/Three Phase
		220VAC Single/Three Phase	220VAC Single/Three Phase	220VAC Single/Three Phase
		380VAC Three Phase	380VAC Three Phase	380VAC Three Phase
Coffee Boiler Wattage	W	1400 Watts	1900 Watts	2800 Watts
Steam Boiler Wattage	W	3000 Watts	4000 Watts	5000 Watts
Total Wattage	W	4600 Watts	6100 Watts	8000 Watts
Required Available Amperage	A	25 amps (20 for Australia)	35 amps (32 for Australia)	45 amps (40 for Australia)
Coffee Boiler Capacity	liters	3,4	5,0	6,8
Steam Boiler Capacity (liters)	liters	7,0	11,0	15,0
Total Capacity (liters)	liters	10,4	16,0	21,8
<b>Machine configuration</b>		<b>2GR</b>	<b>3GR</b>	<b>4GR</b>



**la marzocco**  
handmade in florence

## BODY PANEL ASSEMBLY



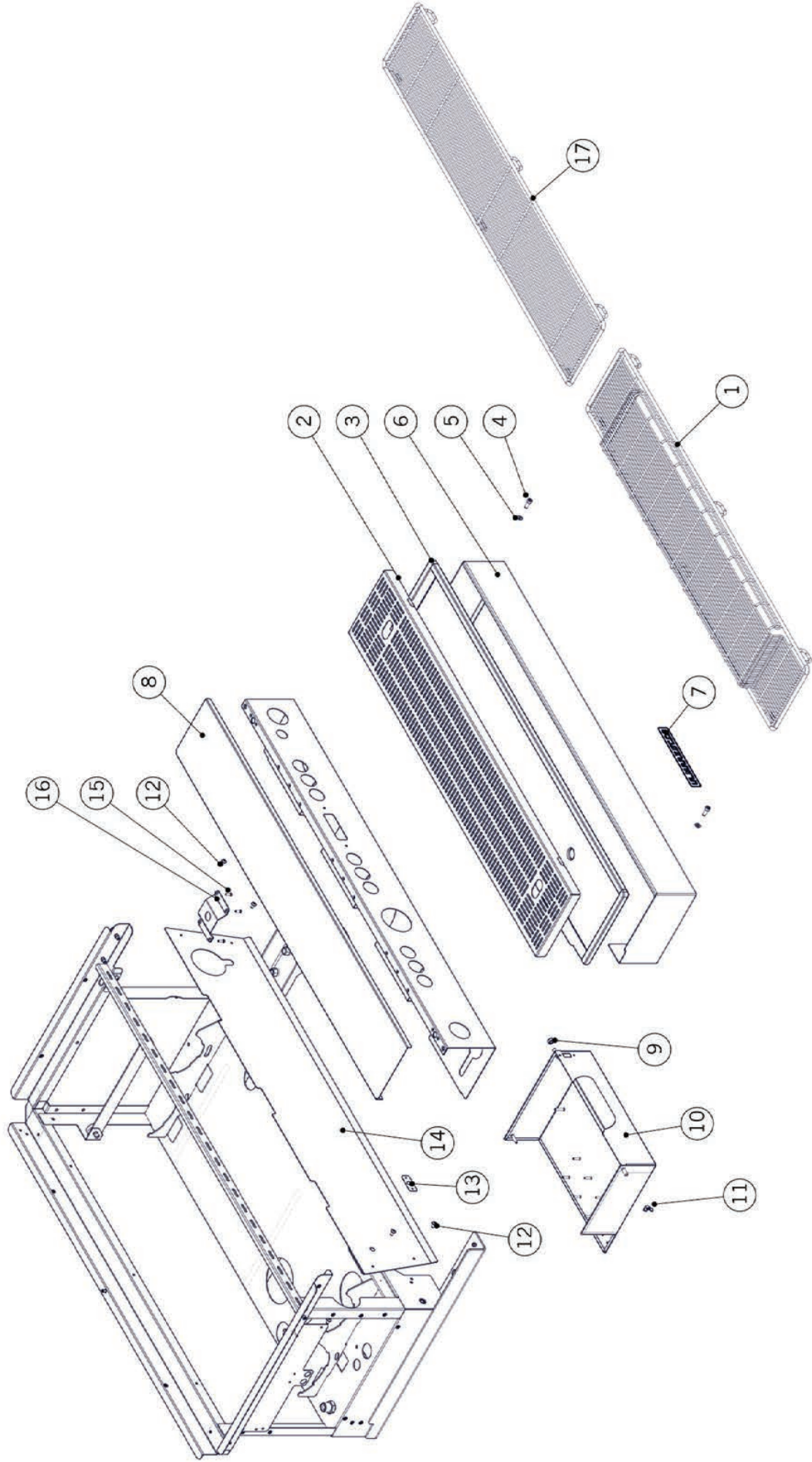






**la marzocco**  
handmade in florence

## BODY PANEL ASSEMBLY



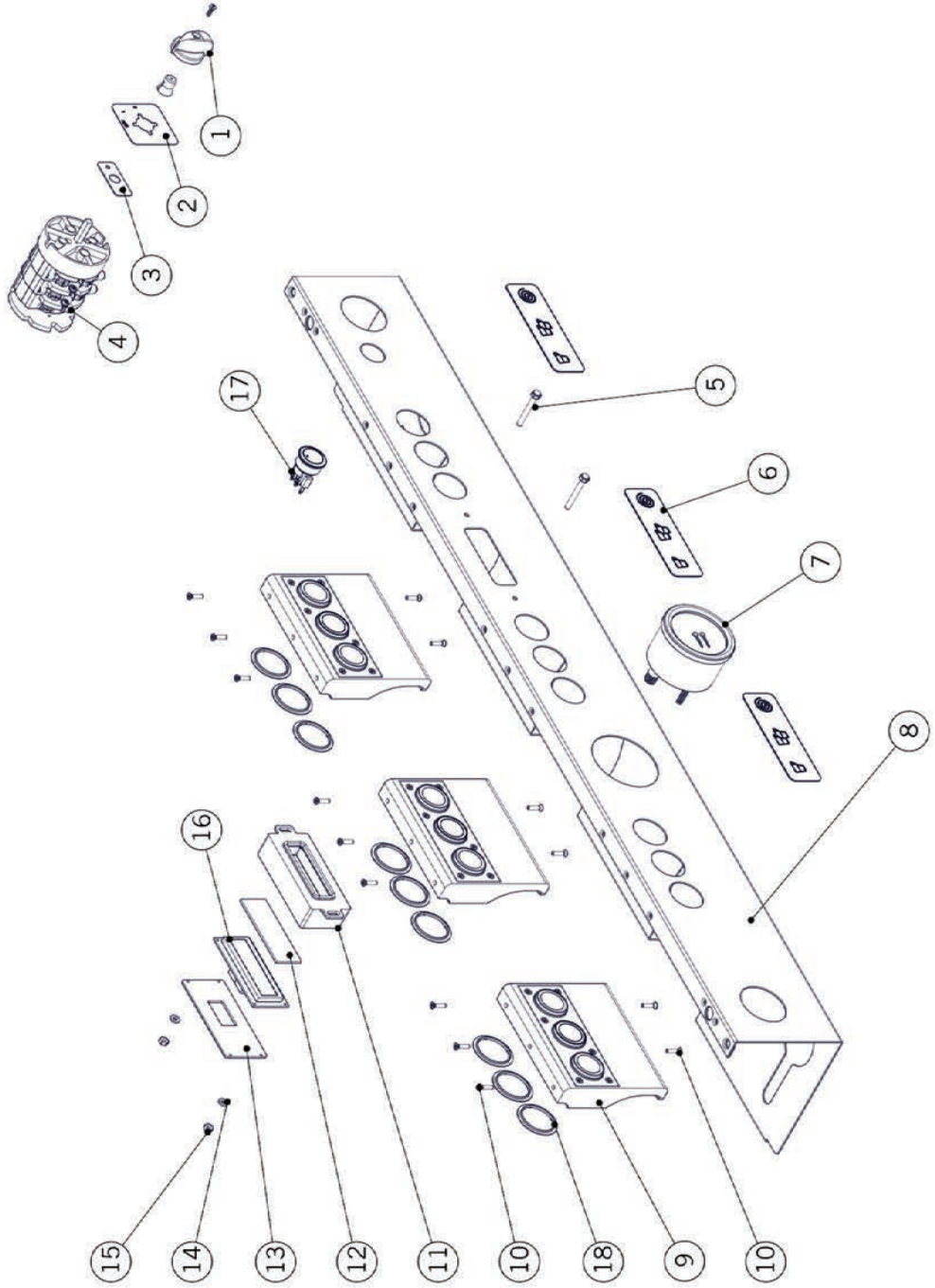






**la marzocco**  
handmade in florence

## CONTROL PANEL ASSEMBLY





**la marzocco**

handmade in florence

## CONTROL PANEL ASSEMBLY

Item	Part number/Codice	Description	Description
1	L400/K	MAIN POWER SWITCH KNOB	MANOPOLA PER COMMUTATORE
2	L400/T.1	0-1-2 SWITCH LABEL	TARGHETTA 0-1-2
3	C.1.162	LINEA PB SWITCH METAL PLATE	PIASTRINA INTERR. LINEA PB
4	E.2.001.02	BIPOLAR SWITCH 32A W/CABLES	INTERRUTTORE BIPOLARE 32A CABLATO
	E.2.002.02	TRIPOLAR SWITCH 17A W/CABLES	INTERRUTTORE TRIPOLARE 17A CABLATO
	L400/32T	32A TRIPOLAR MAIN SWITCH	COMMUTATORE TRIPOLARE 32 AMP
	E.2.049	BIPOLAR SWITCH 32A W/CABLES W/FASTON	INTERRUTTORE BIPOLARE 32A+CAVI C/FASTON
5	E.2.050	TRIPOLAR SWITCH 17A W/CABLES W/FASTON	INTERRUTTORE TRIPOLARE 17A+CAVI C/FASTON
	I.2.001.01	KEYPAD SCREW	VITI FISSAGGIO PULSANTIERA C/ESAGONO
6	D.4.007	COFFEE DOSES LABEL	TARGHETTA DOSI CAFFE'
7	E.3.010	PRESSURE GAUGE DOUBLE SCALE WITH LION	MANOMETRO DOPPIA SCALA CON LEONE
8	C.1.153.*	PANEL SWITCH LINEA PB *AV	PANNELLO INTERR.LINEA PB *AV
9	E.2.038	LINEA PB KEYPAD	PULSANTIERA 3 TASTI LINEA PB
10	I.1.060	SCREW M3X6 PHILLIPS COUNTERSUNK S/S A2	VITE M3X6 TS A CROCE INOX A2
11	F.1.040	LINEA PB DISPLAY FRONT COVER	SCATOLA DISPLAY LINEA PB
12	F.1.042	LINEA PB DISPLAY PROTECTION GLASS	VETRINO SCATOLA DISPLAY LINEA PB
13	F.1.041	LINEA PB DISPLAY BACK COVER	COPERCHIO RETRO SCATOLA DISPLAY LINEA PB
14	ROND_DENT_4	TOOTH LOCK WASHER 4X8X1 GALVANIZED	ROND.DENTATA 4X8X1 ZINCATA
15	DADO4M	NUT M4 H3 WR7 BRASS	DADO M4 H3 CH7 OTTONE
16	E.1.024	LINEA PB DISPLAY BOARD	SCHEDA DISPLAY LINEA PB
17	E.2.041	S/S SWITCH W/RED LED	INTERRUTTORE INOX C/LED ROSSO
18	F.1.048	LINEA PB PUSH BUTTON WAY	BOCCOLINA X PULSANTIERE LINEA PB
<b>Item</b>	<b>Part number/Codice</b>	<b>Description</b>	<b>Description</b>

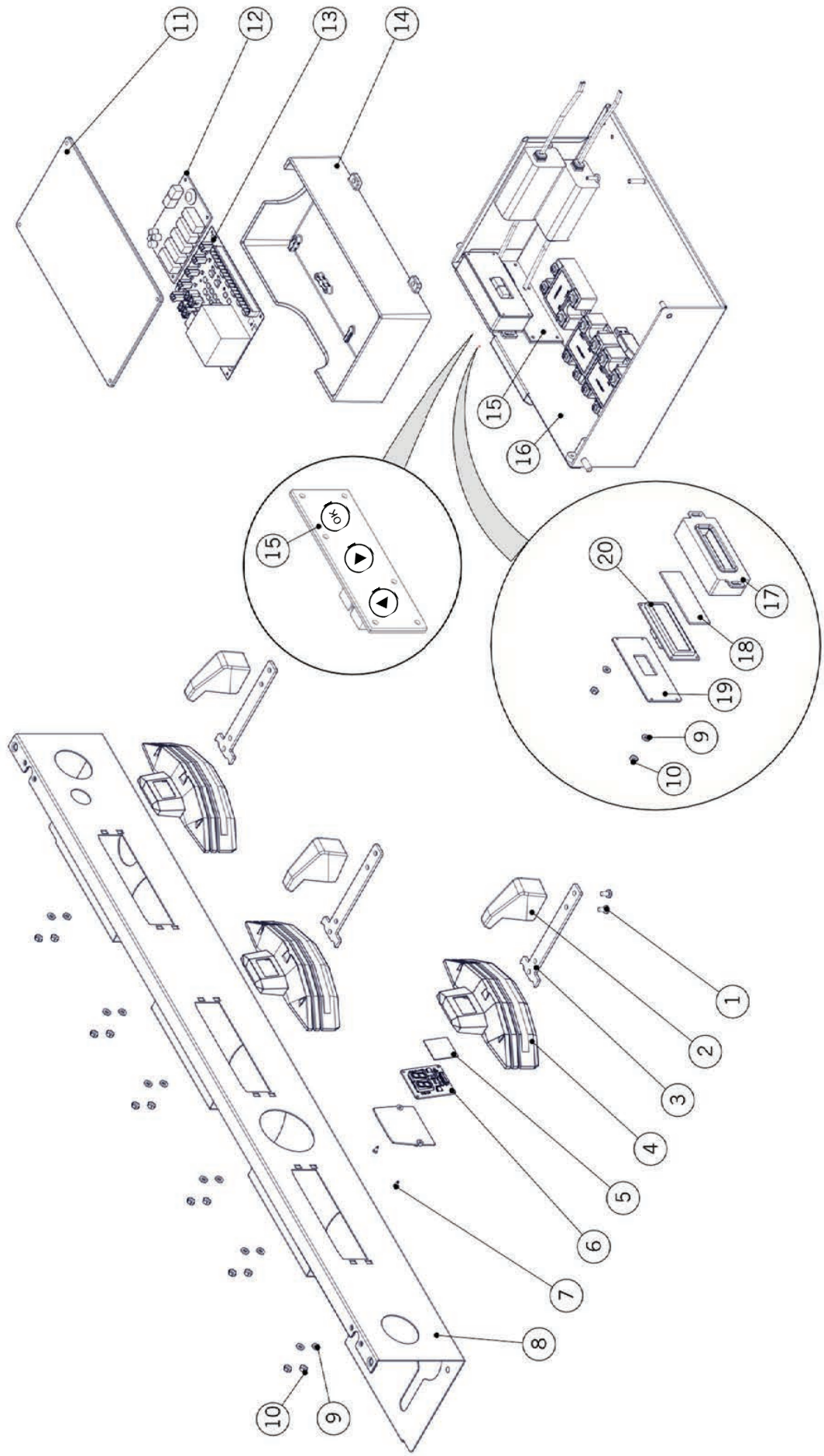
\* = Number of groups / Numero gruppi

**Pannello di controllo**



**la marzocco**  
handmade in florence

# CONTROL PANEL ASSEMBLY - MP

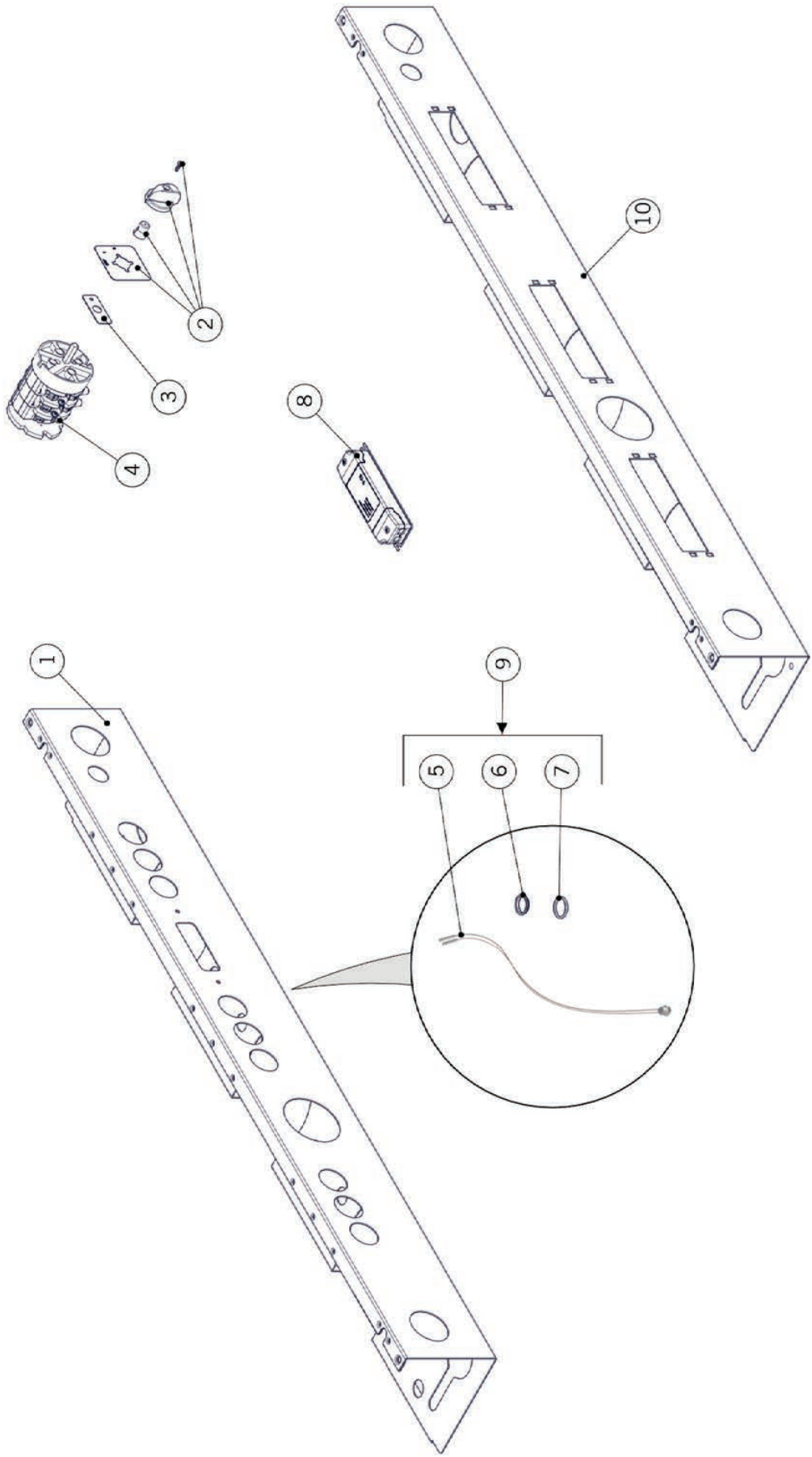






**la marzocco**  
handmade in florence

## CONTROL PANEL ASSEMBLY - BARISTA LIGHTS







**la marzocco**  
handmade in florence

## CONTROL PANEL ASSEMBLY - BARISTA LIGHTS

<b>Pannello di controllo</b>					
Item	Part number/Codice	Description	Description	Description	Description
1	C.1.153.*.L	PANEL SWITCH LINEA PB *AV W/LIGHTS	PANNELLO INTERR.LINEA PB *AV C/LUCI		
2	F.1.060	KNOB+LABEL FORL400/32/4.01-L400/17/12.01	MANOPOLA+ET. L400/32/4.01-L400/17/12.01		
3	C.1.162	LINEA PB SWITCH METAL PLATE	PIASTRINA INTERR. LINEA PB		
4	L400/32/4.01	WIRED SWITCH UP TO 40A	COMMUTATORE BIPOLARE MAX. 40A CABLATO		
	L400/17/12.01	16 AMP. MAIN SWITCH-1/2 GR.	COMMUTATORE TRIPOL. 16 AMP CABLATO		
5	E.4.023.02.R	WHITE LED 16MM W/CONNECTOR + KIT WASHER	LED 16MM BIANCO C/CONNETTORE + KIT ROND.		
6	F.1.049	PVC LED LIGHT FERRULE	BOCCOLA LUCI LED		
7	F.1.050	PVC LED LIGHT WASHER	RONDELLA LUCI LED		
8	E.4.024.01.R	KIT BARISTA LIGHTS POWER SUPPLY W/WIRING	KIT ALIMENTATORE LUCI BARISTA C/CAVI		
9	E.4.023.01.R	WHITE LED 16 MM LXML-PWC2 CABLED	LED 16MM BIANCO LXML-PWC2 boccola+rond.		
10	C.1.154.*.L	PANEL CONTROL LINEA PB *MP W/LIGHTS	PANNELLO DI COMANDO LINEA PB *MP C/LUCI		

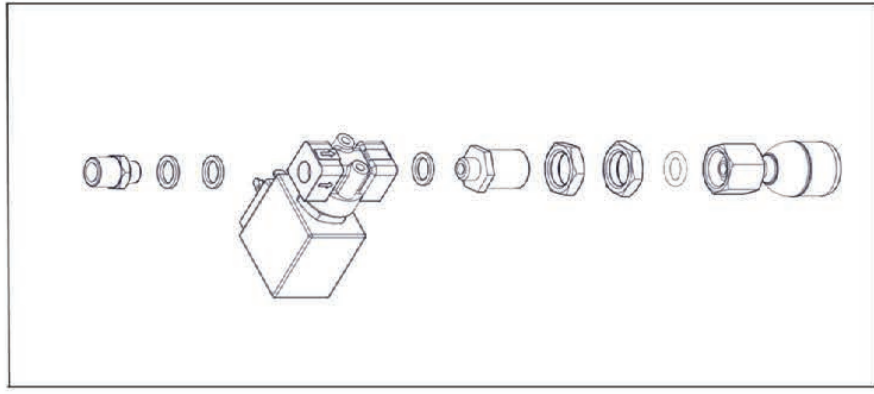
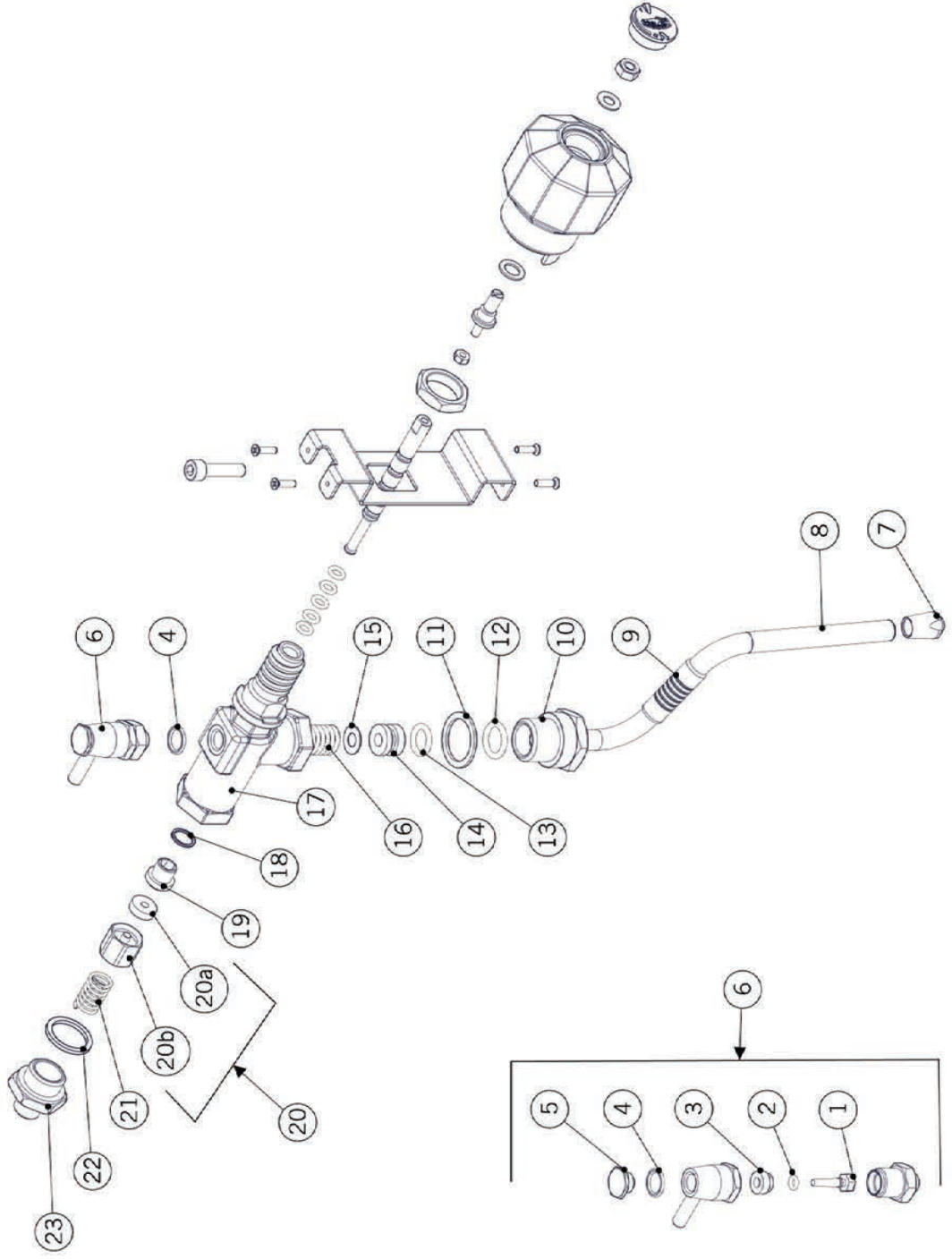
\* = Number of groups / Numero gruppi





**la marzocco**  
handmade in florence

# STEAM AND HOT WATER ASSEMBLY

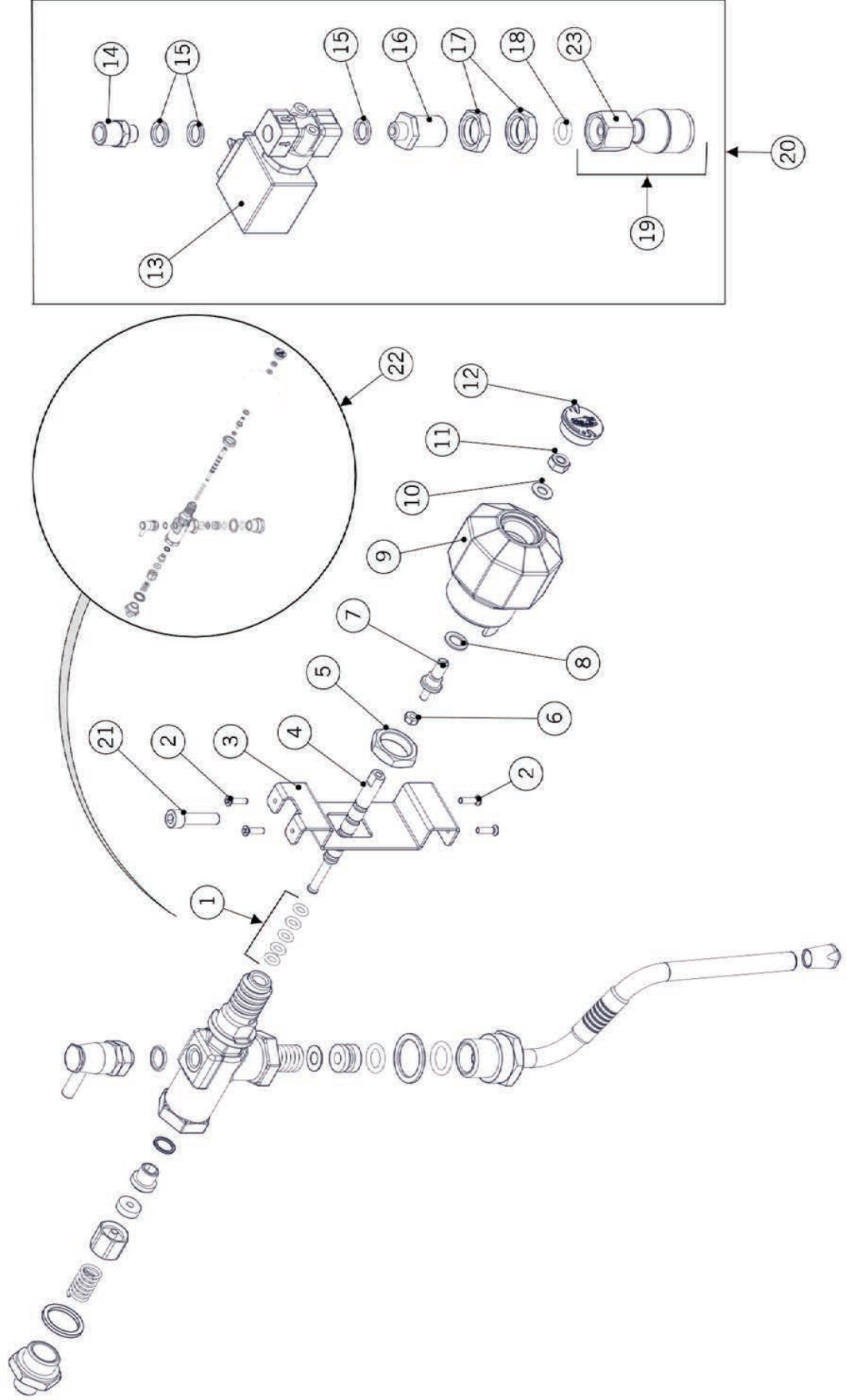






**la marzocco**  
handmade in florence

# STEAM AND HOT WATER ASSEMBLY

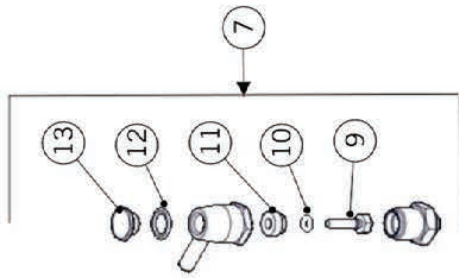
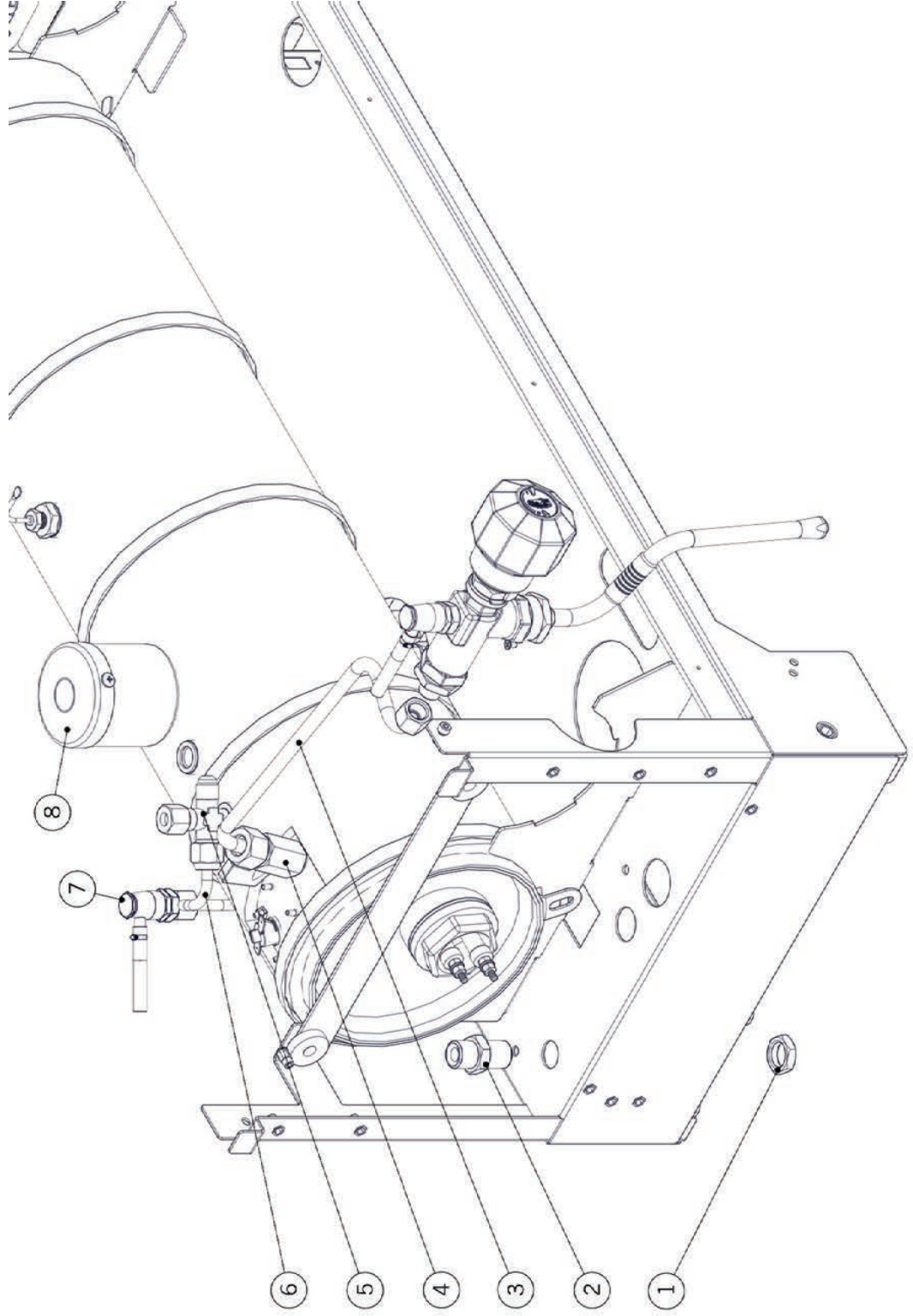






**la marzocco**  
handmade in florence

## HYDRAULIC ASSEMBLY





**la marzocco**  
handmade in florence

## HYDRAULIC ASSEMBLY

Impianto Idraulico					
Item	Part number/Codice	Description	Description	Description	Description
1	L183/1.01	G3/8 HEX NUT CHROME PLATED	DADO G3/8		
2	A.5.020	M G3/8"- M G3/8" S/S NIPPLE H2O INLET	NIPPO 3/8M-3/8M INGRESSO h2O STRADA		
3	T.1.155.01	TUBE BALL V. S.B. - LEFT STEAM VALVE TR.	TUBO RUB.SFERA C.V.-RUB. VAP. SX TRATT.		
4	L164.01	M-F G3/8" BALL VALVE	RUBINETTO A SFERA 3/8 M-F		
5	L129	G1/4" CROSS FITTING	RACCORDO CROCE 1/4GAS NICH.		
6	TL09	TUBE PRESSURE SWITCH - STEAM BOILER	TUBO PRESSOSTATO - CALDAIA VAPORE		
7	L193.01	VACUUM BREAKER VALVE RP	VALVOLA ANTIDEPRESSIONE GS/3 RP		
8	F.1.019	SAFETY VALVE PROTECTION CUP COVER	COPERCHIO BICCHIERE VALV. SICUREZZA		
9	B.2.013.01	ANTI-SUCTION VALVE SHAFT TREATED	ALBERINO V. ANTIRISUCCHIO TRATTATA		
10	F.2.019	O-RING 102 SILICONE 70SH ANTI-SUCTION V.	O-RING 102 SILICONE 70SH V.ANTIRISUCCHIO		
11	B.3.001	PTFE ANTI-SUCTION VALVE SEAL	PASTIGLIA TEFLON X VALV. ANTI		
12	B.1.001.TR	WASHER 10,4X14X1,6 COPPER	RONDELLA 10,4X14X1,6 RAME		
13	B.1.001.T.01	G1/8 ANTI-SUCTION VALVE CAP TREATED	TAPPO G1/8 VALVOLA ANTIRISUCCHIO TRATT.		

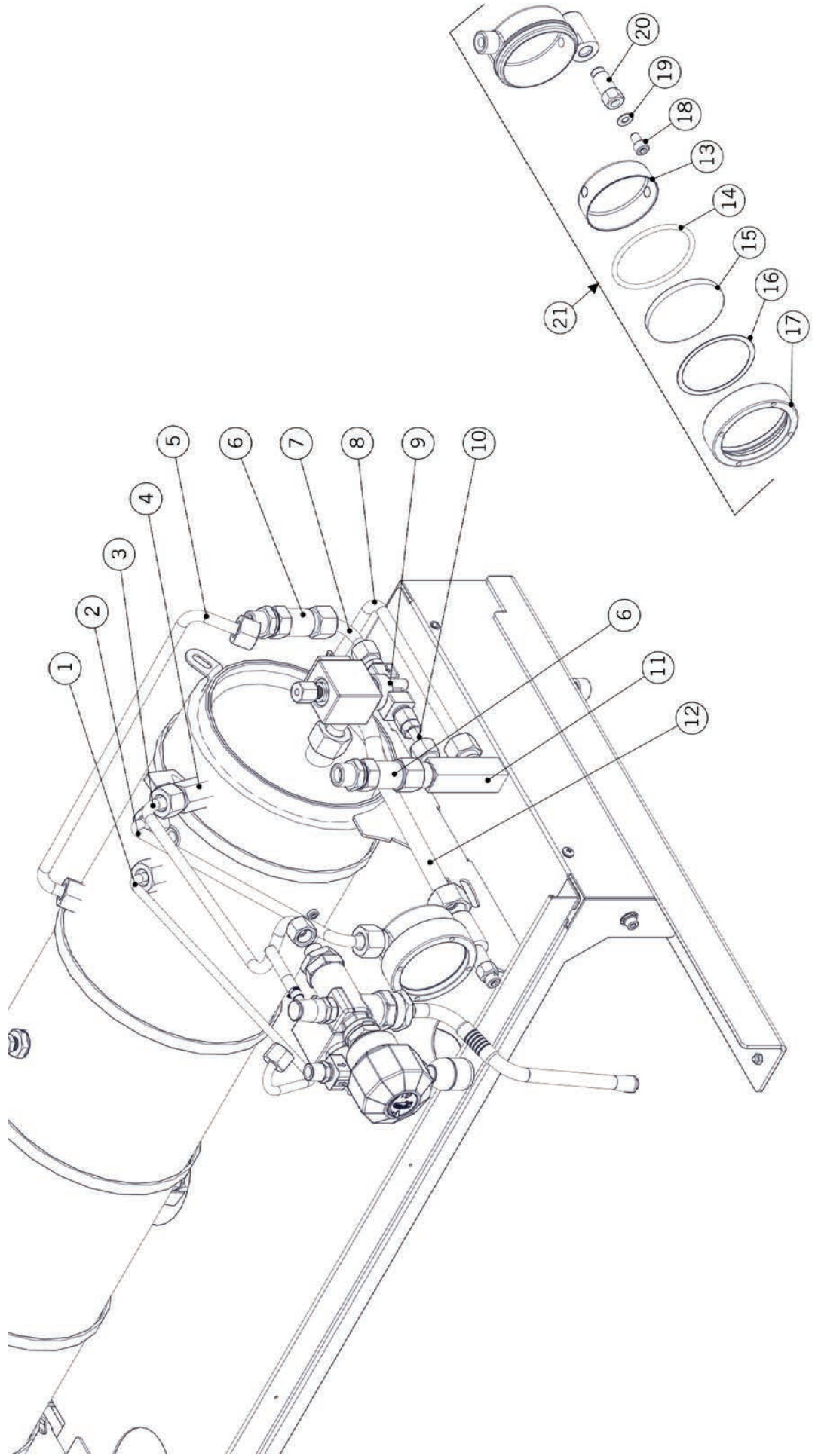
\* = Number of groups / Numero gruppi





**la marzocco**  
handmade in florence

## HYDRAULIC ASSEMBLY







**la marzocco**  
handmade in florence

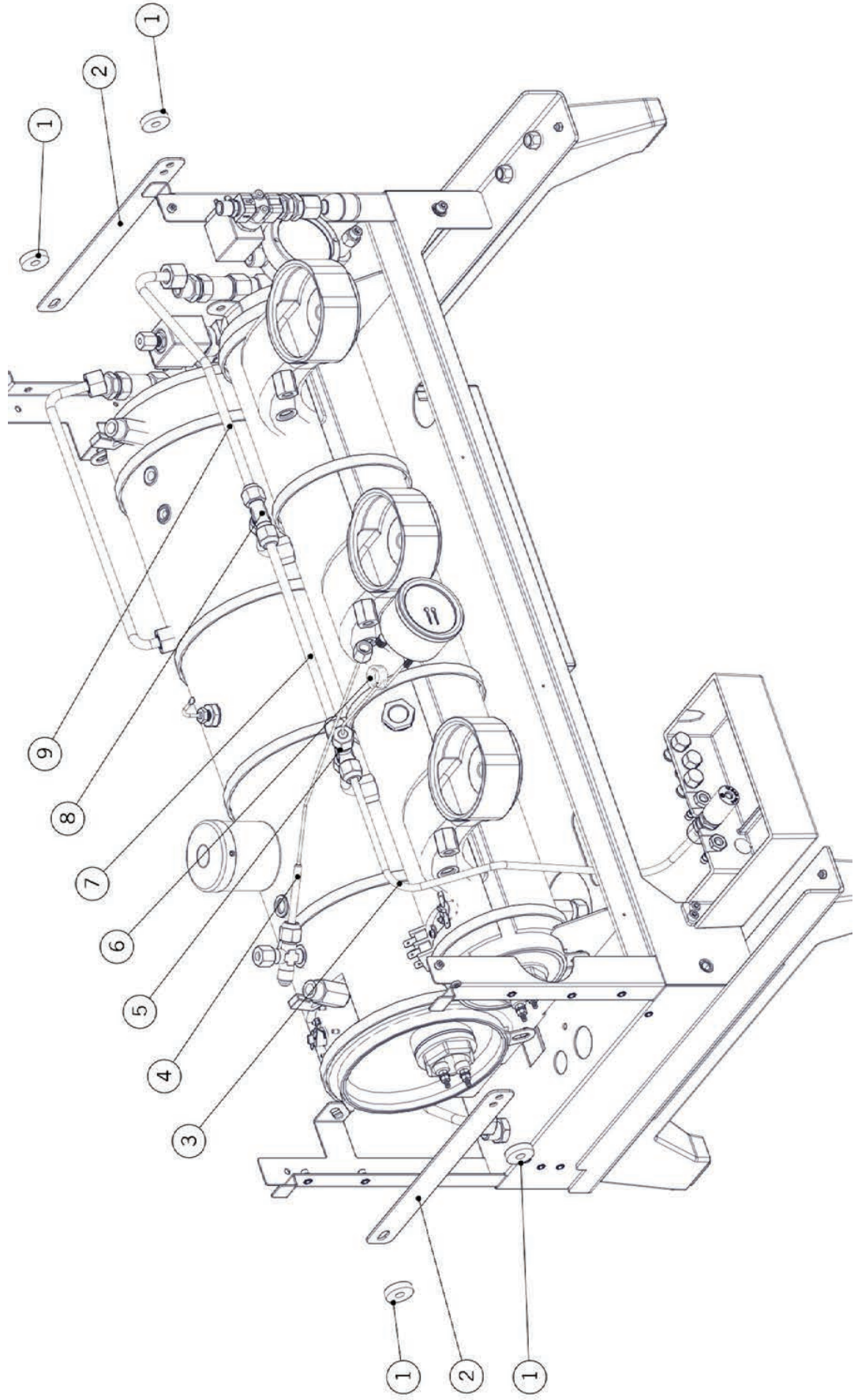
## HYDRAULIC ASSEMBLY

Impianto Idraulico				
Item	Part number/Codice	Description	Description	Descrizione
1	TL08/234	TUBE STEAM BOILER - HOT WATER S.V.		TUBO CALDAIA VAPORE - EV ACQUA CALDA
2	TL01	TUBE UPPER LEVEL SIGHT GLASS LINEA		TUBO LIVELLO SUPERIORE OBLO' LINEA
3	T.1.156.01	TUBE BALL V. S.B.-RIGHT STEAM VALVE TR.		TUBO RUB.SFERA C.V.-RUB. VAP. DX TRATT.
4	L164.01	M-F G3/8" BALL VALVE		RUBINETTO A SFERA 3/8 M-F
5	TL05/234	TUBE CHECK VALVE - STEAM BOILER 2-3-4 GR		TUBO V.RITEGNO - CALDAIA VAPORE 2-3-4 GR
6	L032/P.01	CHECK VALVE G3/8M TREATED		VALVOLA DI RITEGNO G3/8M TRATTATA
7	T.1.157	TUBE CHECK V.-AUTOFILL SOLENOID V.		TUBO V.RITEGNO - EV RIEMPIMENTO LINEA PB
8	T.1.158.*	TUBE WATER INLET LINEA PB *GR		TUBO INGRESSO ACQUA LINEA PB *GR
9	L100/E.02	3 WAY SOLENOID VALVE BDV 220/240AC 50-6		ELETTROVALVOLA 3 VIE CON BOBINA
	L100/E200.01	3 WAY SOLENOID VALVE 200V		ELETTROVALVOLE 3 VIE
10	T.1.002.01	TUBE TEE FITTING-AUTOFILL SOLENOID V.TR.		TUBO T - EV RIEMP. TRATTATO
11	L025/C.01	WATER MANIFOLD		ANCORAGGIO COMPLETO TEA
12	T.1.061	TUBE SIGHT GLASS LOWER LINEA PB 2-3GR		TUBO INF. OBLO' LIVELLO LINEA PB 2-3GR
	T.1.062	TUBE SIGHT GLASS LOWER LINEA PB 4GR		TUBO INF. OBLO' LIVELLO LINEA PB 4GR
13	L120/3	SIGHT GLASS INSIDE CAP		CALOTTA INT.LIVELLO ACC.INOX
14	L122/A	SIGHT GLASS VITON O-RING 8-162		GUARNIZIONE OR 8-162 VITON
15	L122	SIGHT GLASS, GLASS D 61,5 THK 5		VETRO LIVELLO DM.61.5X5SPESS.
16	L122/B	SIGHT GLASS GASKET 62x55x0,5		GUARNIZIONE PIANA 62X55X0.5
17	L121	SIGHT GLASS CHROME BEZEL		GHIERA LIVELLO CROMATA
18	L120/2	SCREW M6X10 SOCKET CAP S/S A2		VITE M6X10 TC A BRUGOLA INOX A2
19	L120/2A	WASHER 6,3X12X1 COPPER		RONDELLA 6,3X12X1 RAME
20	L120/1CR	SIGHT GLASS DRAIN FITTING		RACCORDO SVUOTAGGIO CROMATO
21	L120_C.01	COMPLETE SIGHT GLASS		LIVELLO COMPLETO
			* = Number of groups / Numero gruppi	



**la marzocco**  
handmade in florence

## HYDRAULIC ASSEMBLY

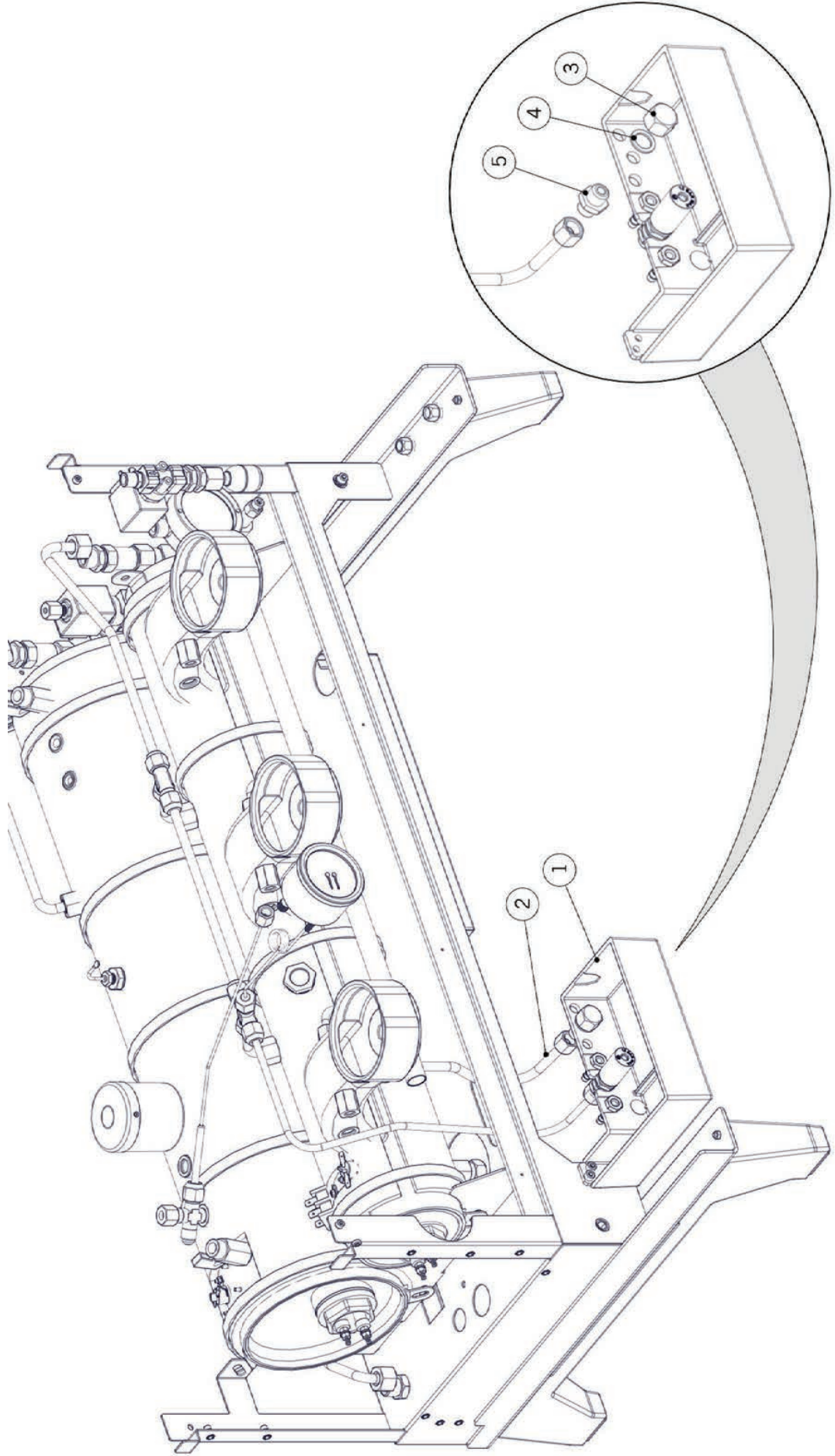






**la marzocco**  
handmade in florence

## HYDRAULIC ASSEMBLY - MP





**la marzocco**  
handmade in florence

## HYDRAULIC ASSEMBLY - MP

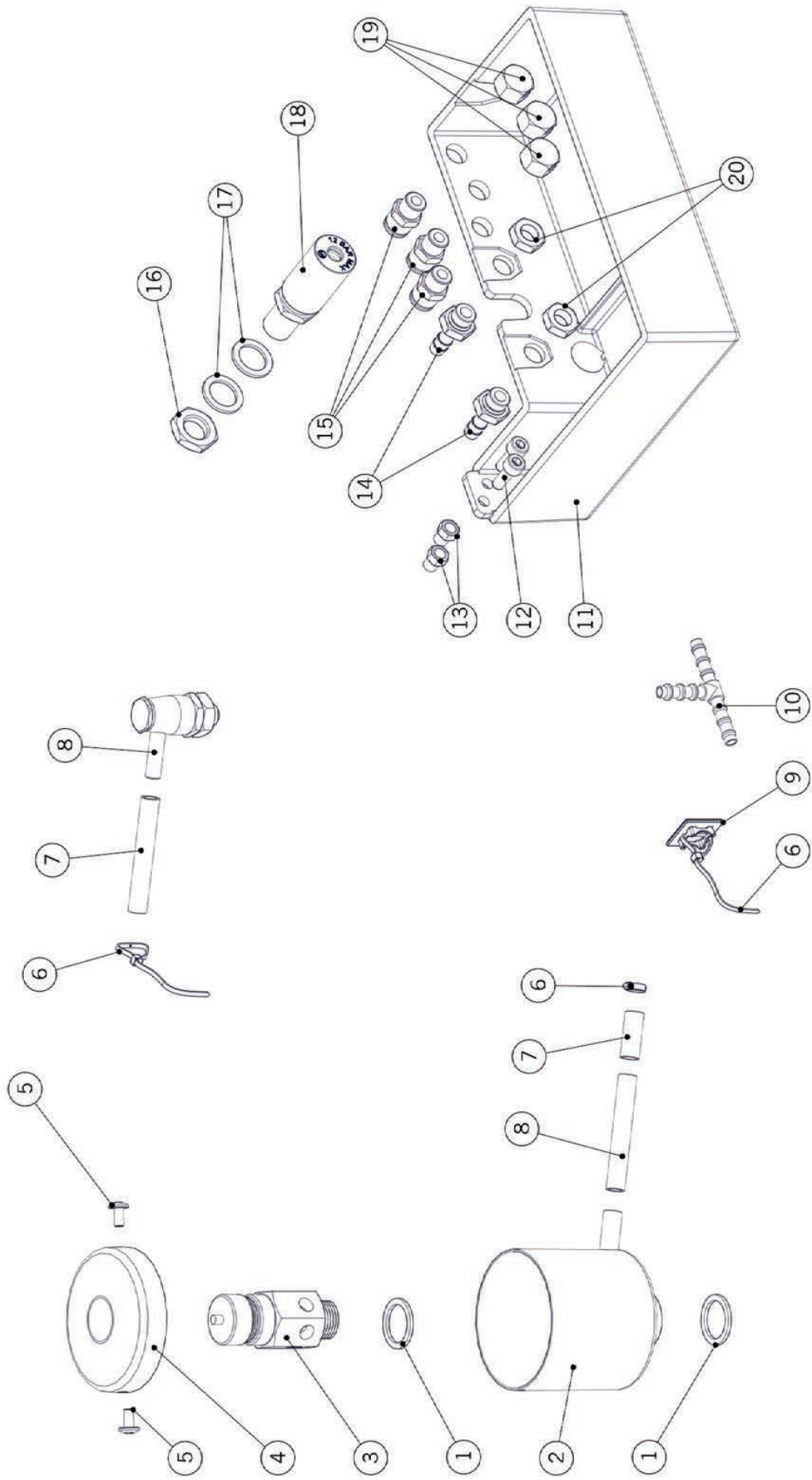
<b>Impianto Idrraulico</b>				
Item	Part number/Codice	Description	* = Number of groups / Numero gruppi	
1	F.1.078	DRAIN BOX LINEA PB MP	POZZETTO DI SCARICO LINEA PB MP	
2	T.1.189.*	DRAIN TUBE LINEA PB *MP	TUBO DI SCARICO LINEA PB *MP	
3	L037/3R	BREAK-DRAIN FOR SOLENOID VALVE	ROMPIGETTO ES.19 MM.	
4	L100/1A	WASHER 13,5X19X1,5 COPPER	RONDELLA 13,5X19X1,5 RAME	
5	L037/3.01	G1/4" NIPPLE FITTING	NIPPLO 1/4M. ES19 TRATT. TEA	
Item	Part number/Codice	Description	* = Number of groups / Numero gruppi	





**la marzocco**  
handmade in florence

## FITTINGS AND VALVES





**la marzocco**

handmade in florence

## FITTINGS AND VALVES

<b>Raccordi e Valvole</b>				
Item	Part number/Codice	Description	Description	Descrizione
1	L180/1	WASHER 22X17X1.5 COPPER		RONDELLA 17X22X1.5 RAME
2	F.1.018.01	SAFETY VALVE PROTECTION CUP		BICCHIERE VALVOLA SICUREZZA
3	B.2.024	SAFETY VALVE G3/8 1.8 BAR TEA		VALVOLA DI SICUREZZA G3/8 1,8 BAR TEA
4	F.1.019	SAFETY VALVE PROTECTION CUP COVER		COPERCHIO BICCHIERE VALV. SICUREZZA
5	I.1.006	SCREW M4X8 PHILLIPS BUTTON HEAD S/S A2		VITE M4X8 TPB A CROCE INOX A2
6	L338/L100	PLASTIC FASTENER 100X2.5		FASCETTA FERMAFILO 98X2.5
7	T.4.001	ANTI-SUCTION VALVE SILICONE TUBE		TUBO SILICONE 5X8 V. ANTIRISUCCHIO
8	L192.01	ANTI-SUCTION VALVE RP		VALVOLA ANTI-DEPRESSIONE X RUBINETTO RP
9	5.V010	FASTENER ADHESIVE SUPPORT		INCOLLINO
10	A.7.001.01	T FITTING FOR SILICONE TUBE		PORTAGOMMA A T PER TUBO SILICONE
11	F.1.036	LINEA PB DRAIN BOX		POZZETTO DI SCARICO LINEA PB
	F.1.037	LINEA PB DRAIN BOX 4GR		POZZETTO DI SCARICO LINEA PB 4GR
12	I.1.011	SCREW M5X14 SOCKET CAP S/S A2		VITE M5X14 TC BRUGOLA INOX A2
13	I.1.041	NUT M5 H4 WR8 ZINC PLATED		DADO M5 H4 CH8 ZINCATO
14	L292	GS/3 TUBE FITTING		PORTAGOMMA GS/3
15	A.2.105	G1/8-D6 FITTING, VITON SEAL		RACCORDO G1/8-D6 GUARNIZ. VITON
16	L146	NUT G1/4 H4,5 WR19 BRASS		DADO G1/4 H4,5 CH19 OTTONE
17	L100/1A	WASHER 13.5X19X1.5 COPPER		RONDELLA 13,5X19X1,5 RAME
18	L140_C	COMPLETE EXPANSION VALVE		VALVOLA ESPANSIONE COMPLETA
19	A.1.020	G1/8" BRASS BREAK FITTING		ROMPIGETTO 1/8 CH14
20	L292/R	G1/8" CHROME NUT		RACCORDO PORTAGOMMA INOX 1/8
Item	Part number/Codice	Description	Description	Descrizione

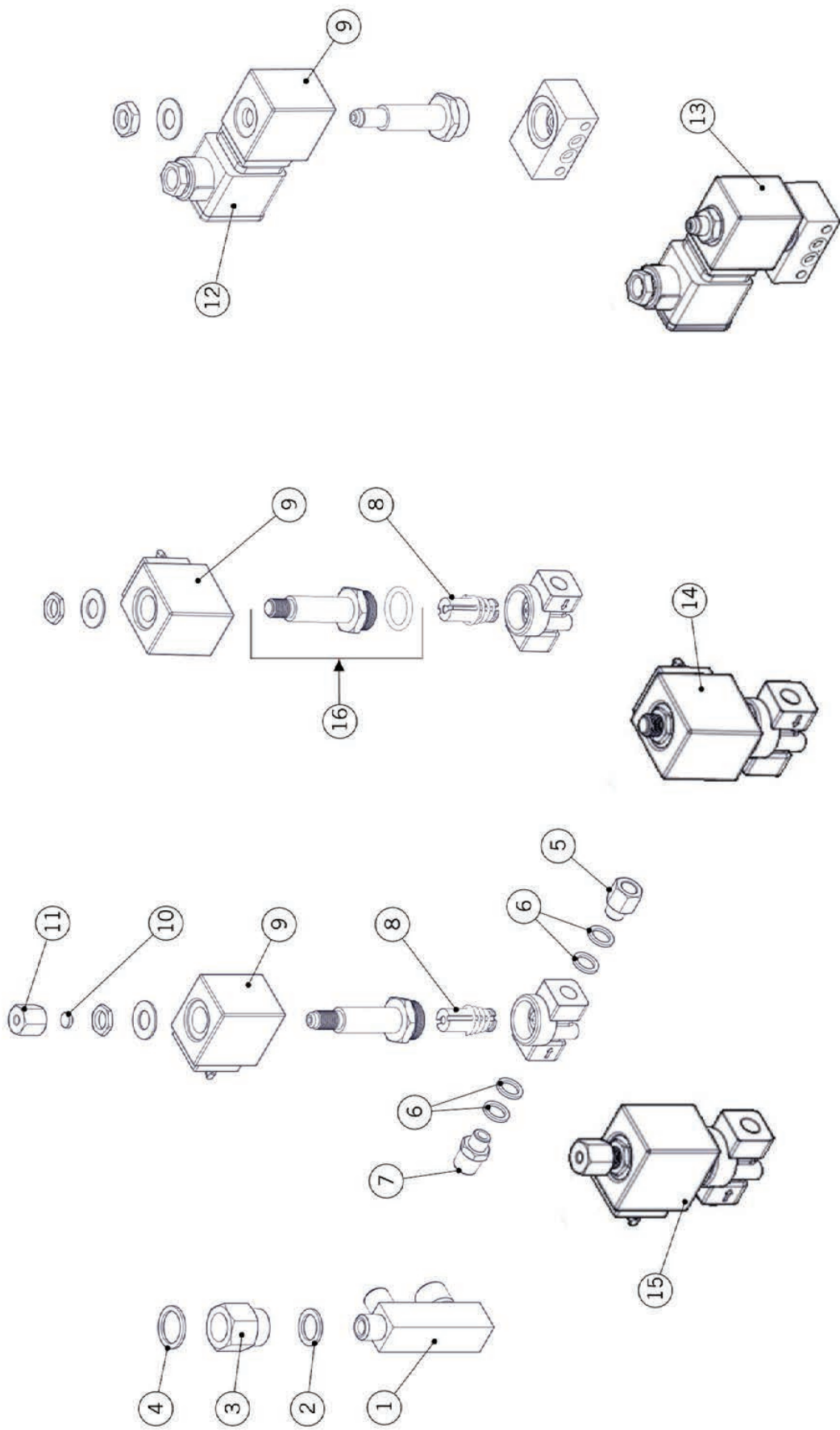
\* = Number of groups / Numero gruppi





**la marzocco**  
handmade in florence

## FITTINGS AND VALVES





**la marzocco**  
handmade in florence

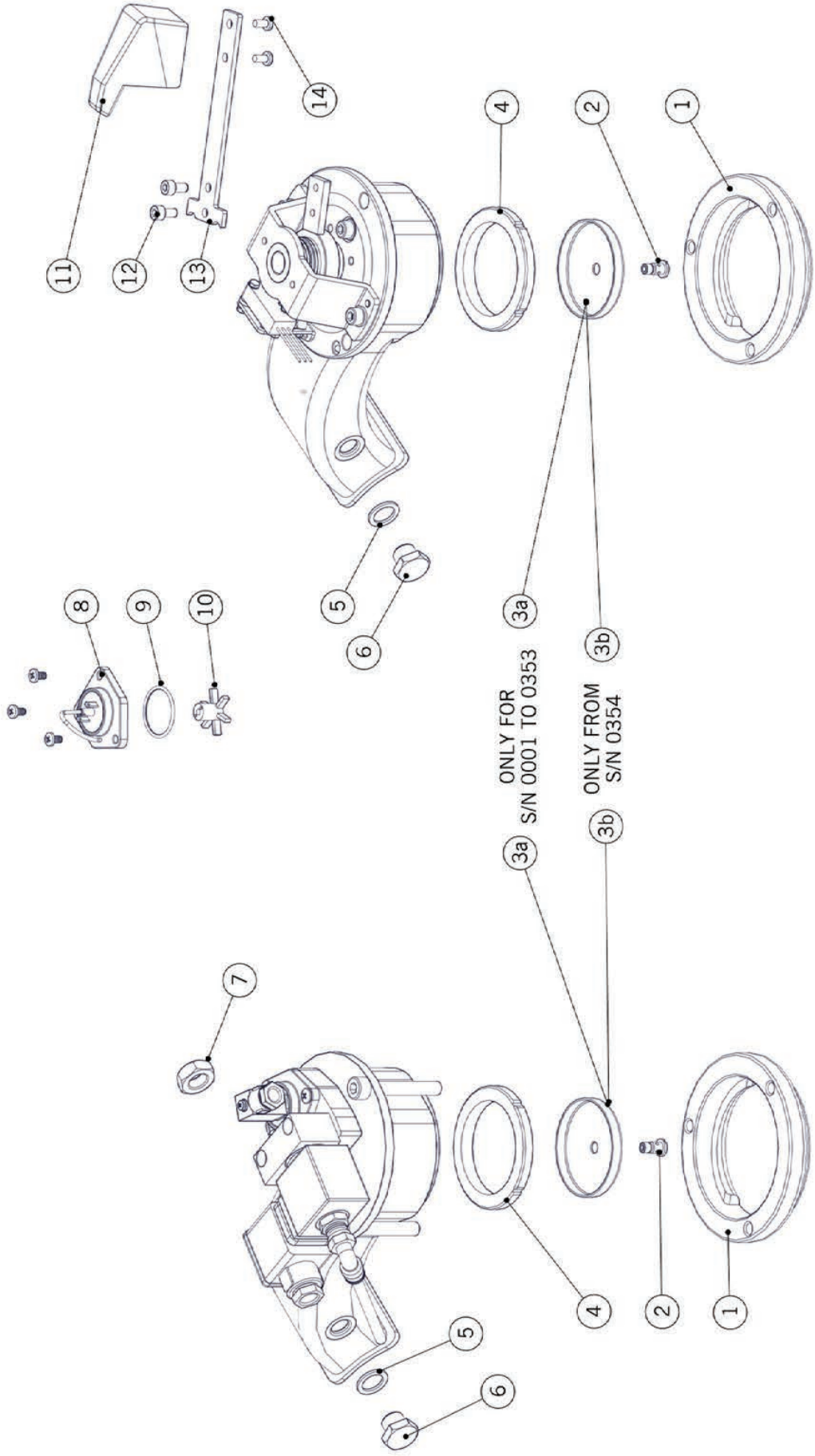
## FITTINGS AND VALVES

<b>Raccordi e Valvole</b>				
Item	Part number/Codice	Description	* = Number of groups / Numero gruppi	
1	L025/C.01	WATER MANIFOLD	ANCORAGGIO COMPLETO TEA	
2	L100/1A	WASHER 13.5X19X1,5 COPPER	RONDELLA 13.5X19X1,5 RAME	
3	A.2.004	FITTING G1/4F-G3/8F WR22 BRASS	RACCORDO G1/4F-G3/8F CH22 OTTONE	
4	L180/1	WASHER 22X17X1,5 COPPER	RONDELLA 17X22X1,5 RAME	
5	L100/C	FITTING G1/8F - G1/8M WR14 BRASS	RACCORDO G1/8F - G1/8M CH14 OTTONE	
6	L100/D	WASHER 10X14X1,5 COPPER	RONDELLA 10X14X1,5 RAME	
7	L053/1	M G1/8" - M G1/4" FITTING	RACCORDO M.1/8-M.1/4 X EV.	
8	L100/H	3-WAY SOLENOID VALVE PLUNGER	NUCLEO MOBILE X EV.3 VIE	
9	L100/G.01	SV COIL 220-240V 8W UL CSA VDE	BOBINA EV 220-240V 8W UL CSA VDE	
	L100/G200	SOLENOID COIL 200V	BOBINA PER ELETTROVALVOLA 200V	
10	L134/4	8mm BLIND FERRULE	GHIANDINA DM.8 CHIUSA - NICK . AL	
11	L134	G1/8"F NUT - 4,5mm HOLE	RACCORDO F.1/8 ES.14 FORO 4.5	
12	L205	SOLENOID VALVE CONNECTOR	CONNETTORE PER ELETTROVALVOLA	
13	B.2.004.02	SOLENOID VALVE ASSEMBLY, 90°, VDE	E.V. A 90° C/BOBINA VDE DA STAMPO	
	L053.02	2-WAY SOLENOID VALVE 220/240V - 50/60HZ	ELETTROVALVOLA 2 VIE AISI 316L	
14	L053/200.01	2WAY SOLENOID VALVE 200VOLTS AISI 316L	ELETTROVALVOLE 2 VIE AISI 316L	
	L100/E.02	3 WAY SOLENOID VALVE BDV 220/240AC 50-6	ELETTROVALVOLA 3 VIE CON BOBINA	
15	L100/E200.01	3 WAY SOLENOID VALVE 200V	ELETTROVALVOLE 3 VIE	
16	A.5.041	CAP AISI316L W/O-RING FOR 2WAYS SV	CANOTTO AISI 316L C/O-RING PER EV 2VIE	
Item	Part number/Codice	Description	* = Number of groups / Numero gruppi	
		Description	* = Number of groups / Numero gruppi	



**la marzocco**  
handmade in florence

# COFFEE BOILER - GROUP

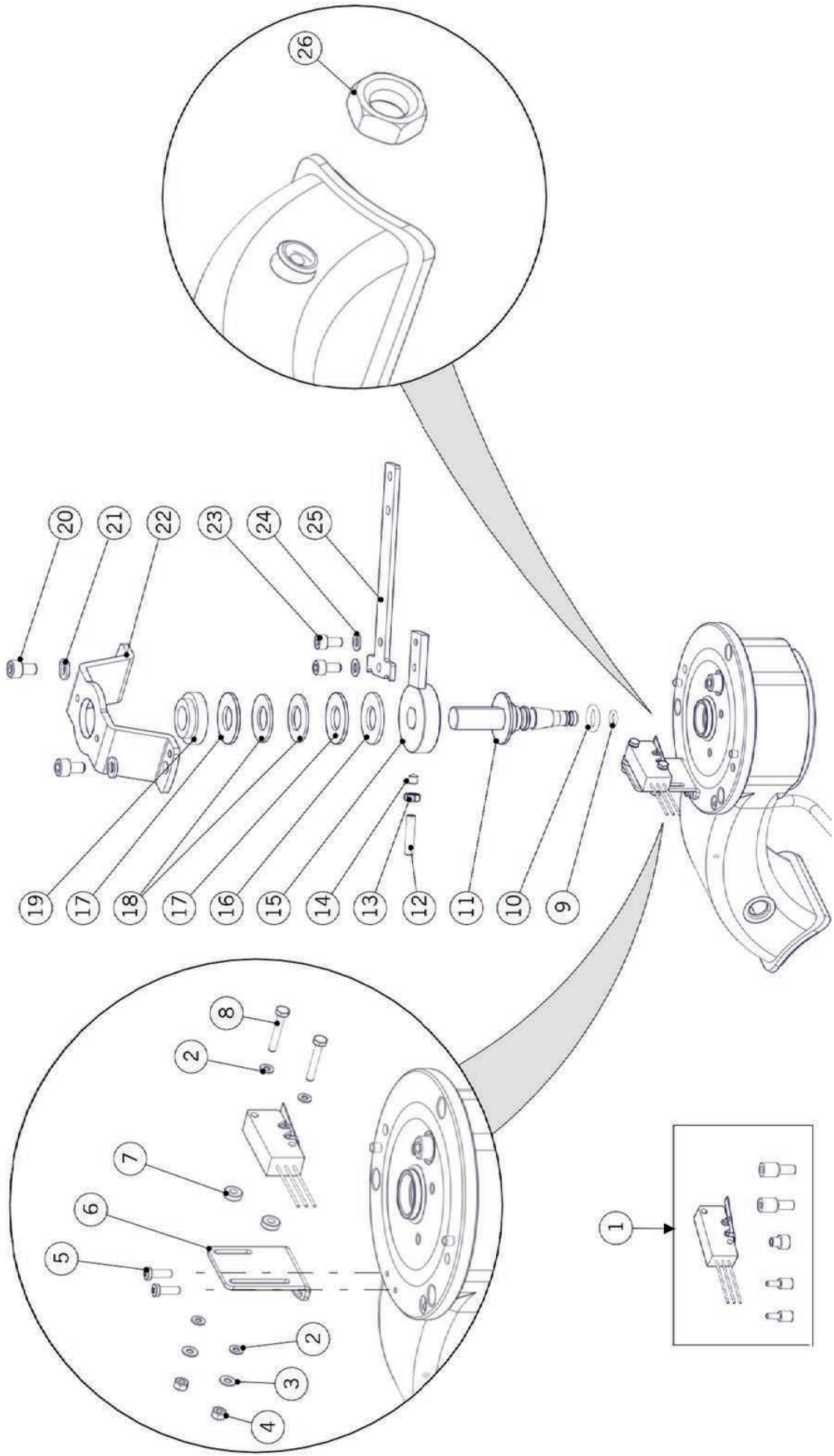






**la marzocco**  
handmade in florence

# COFFEE BOILER - MP





**la marzocco**  
handmade in florence

## COFFEE BOILER - MP

Item	Part number/Codice	Description	Description
1	E.2.039	MICROSWITCH KIT WITH LUGS	KIT MICROINTERRUTTORE C/CAPICORDA
2	RONDINOXGS/3	WASHER 3X6X0,5 S/S A2	RONDELLA 3X6X0,5 INOX A2
3	I.3.007	TOOTH LOCK WASHER 3,4X6X0,5 GALVANIZED	ROND.DENTATA 3,4X6X0,5 ZINCATA
4	DADO3M	NUT M3 H3 WR6 BRASS	DADO M3 H3 CH6 OTTONE
5	VITE3X10	SCREW M3X10 PHILLIPS ROUND-PAN S/S A2	VITE M3X10 TCB A CROCE INOX A2
6	C.1.067	BRACKET MICROSWITCH GS3	SUPPORTO MICROINTERRUTTORE GS3
7	I.3.004	SPACER 3,5X8X2,5 AL	DISTANZIALE 3,5X8X2,5 ALLUMINIO
8	I.1.055	SCREW M3X20 HEX HEAD S/S A2	VITE M3X20 TE INOX A2
9	H.1.006	ORING 2025, 105, 2-010 VITON	O-RING PER CANOTTO
10	H.1.019	O-RING 10.77x2.62 (2-111) EPDM 70SHA	O-RING 10.77x2.62 (2-111) EPDM 70SHA
11	A.5.048	SHAFT CONICAL PADDLE VALVE	ALBERO VALVOLA PADDLE CONICO
12	A.5.005	PIN D5X23 THREAD M5X7,5 S/S	PERNO D5X23 FILETT. M5X7,5 INOX
13	DADO5M_INOX	NUT M5 H4 WR8 S/S A2	DADO M5 H4 CH8 INOX A2
14	I.1.016	SOCKET GRUB SCREW M5X5 S/S A2	GRANO M5X5 A BRUGOLA INOX A2
15	F.8.005	LEVER CONICAL PADDLE VALVE	LEVA VALVOLA PADDLE CONICO
16	I.6.005	WASHER 14,1X30X2 PTFE	RONDELLA 14,1X30X2 PTFE
17	I.1.091	WASHER 14,2X30X2 S/S	RONDELLA 14,2X30X2 INOX
18	I.5.004	BELLEVILLE SPRING	MOLLA A TAZZA PADDLE CONICO
19	F.4.012	BUSH LEVER CONICAL PADDLE VALVE	BOCCOLA LEVA VALVOLA PADDLE CONICO
20	L120/2	SCREW M6X10 SOCKET CAP S/S A2	VITE M6X10 TC A BRUGOLA INOX A2
21	RONDELLA6X12	WASHER 6,4X12X1,5 S/S A2	RONDELLA 6,4X12X1,5 INOX A2
22	F.3.020	BRACKET GROUP MP	CAVALLOTTO GRUPPO MP
23	I.1.005	SCREW M5X10 SOCKET CAP S/S A2	VITE M5X10 TC A BRUGOLA INOX A2
24	I.1.039	WASHER 5,4X10X1 S/S A2	RONDELLA 5,4X10X1 INOX A2
25	C.1.267	EXTENSION LEVER PADDLE	ESTENSIONE LEVA PADDLE CONICO
26	L100/5	NUT G1/4 H8 WR20 BRASS	DADO G1/4 H8 CH20 OTTONE

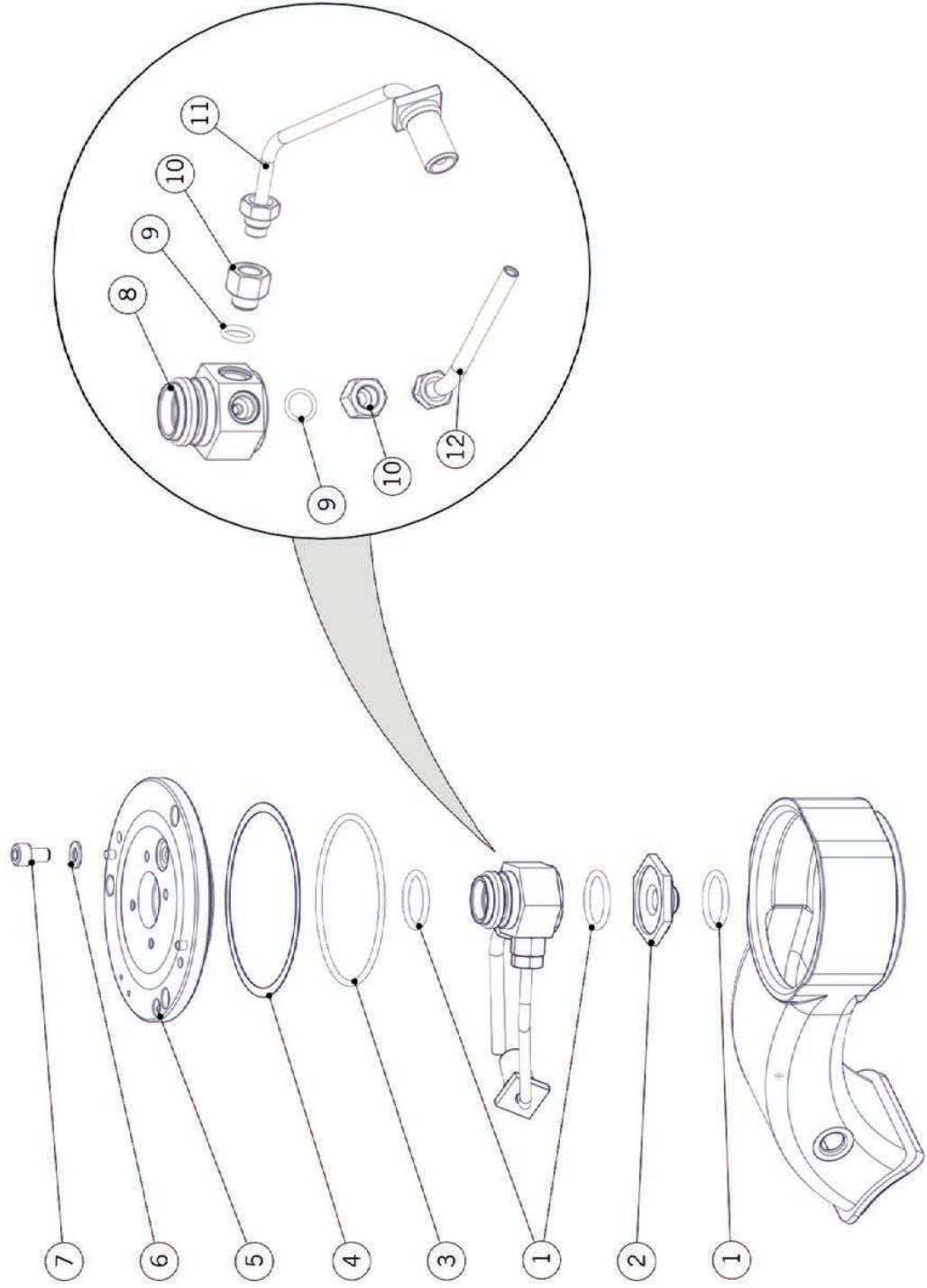
\* = Number of groups / Numero gruppi





**la marzocco**  
handmade in florence

## COFFEE BOILER - MP







**la marzocco**  
handmade in florence

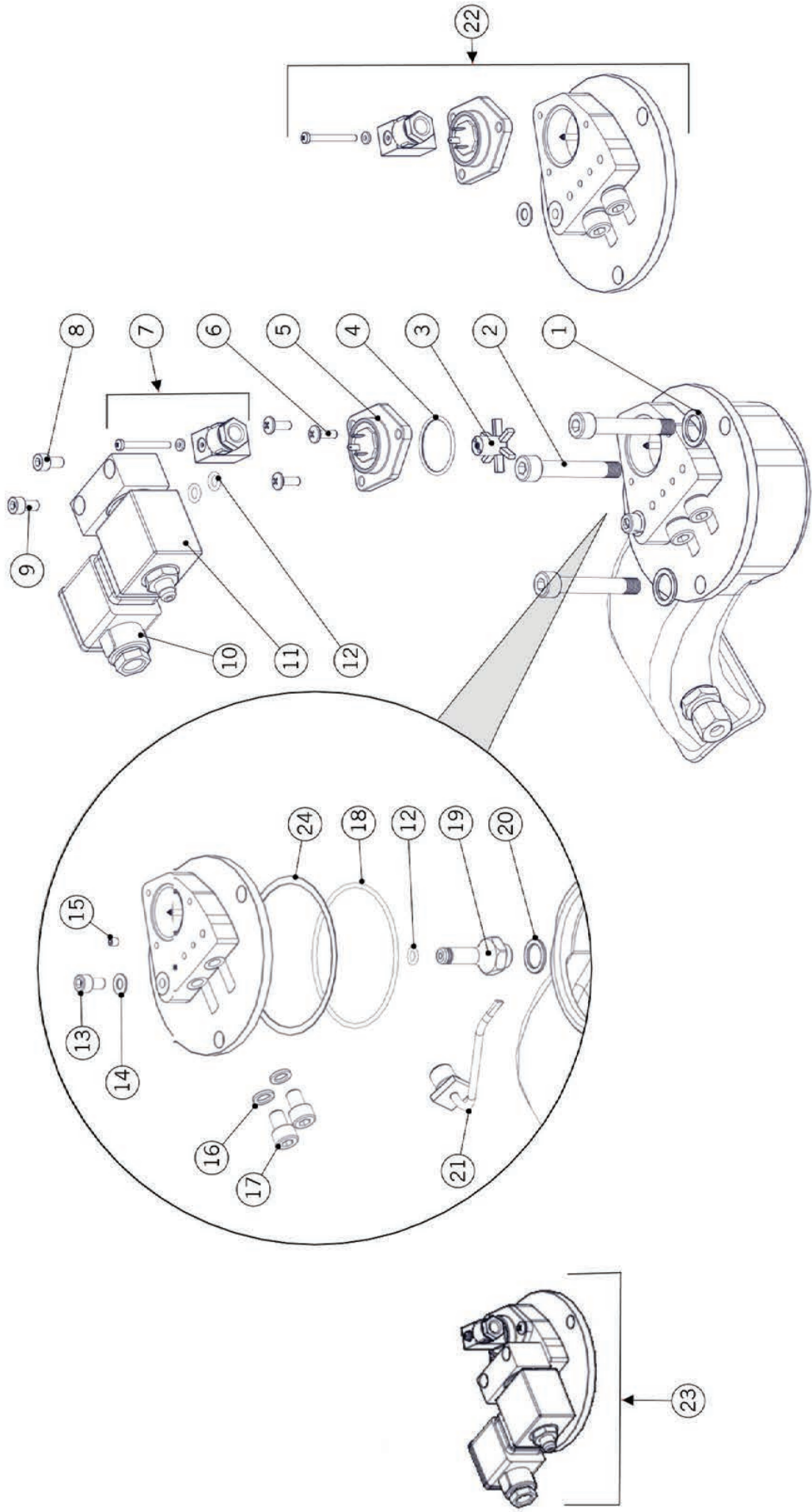
## COFFEE BOILER - MP

Item	Part number/Codice	Description	Description	* = Number of groups / Numero gruppi	
1	H.1.010.01	ORING 3087 (2-118) EPDM 70 SHA	OR3087 EPDM 70 SHA PARKER		
2	A.5.047	ADAPTOR GROUP CONICAL V.	ADATTATORE GRUPPO V.PADDLE CONICO		
3	L103/A	O-RING 2,62X75,87 VITON 70 Sha FDA	O-RING 2,62X75,87 VITON 70 Sha FDA		
4	L103/B	FIBER GASKET 87X81X0,5	GUARNIZ. PIANA 87X81X0,5 NOVUS		
5	A.5.026	PADDLE GROUP CAP S/S	COPERCHIO GRUPPO MP INOX		
6	L120/2A	WASHER 6,3X12X1 COPPER	RONDELLA 6,3X12X1 RAME		
7	L120/2	SCREW M6X10 SOCKET CAP S/S A2	VITE M6X10 TC A BRUGOLA INOX A2		
8	A.6.003	BODY CONICAL PADDLE VALVE	CORPO VALVOLA PADDLE CONICO		
9	H.1.011.01	O-RING 9,25x1,78 (2-012) EPDM 70SHA	O-RING 9,25x1,78 (2-012) EPDM 70SHA		
10	A.5.049	FITTING G1/8M-G1/8F WR14 S/S	RACCORDO G1/8M-G1/8F CH14 INOX		
11	T.1.188	DRAIN TUBE MP VALVE	TUBO SCARICO VALVOLA PADDLE CONICO		
12	T.1.187	TUBE WATER INLET MP VALVE	TUBO CARICO ACQUA VALVOLA PADDLE CONICO		
Item	Part number/Codice	Description	Description	* = Number of groups / Numero gruppi	



**la marzocco**  
handmade in florence

# COFFEE BOILER - GROUP CAP AV





**la marzocco**

handmade in florence

## COFFEE BOILER - GROUP CAP AV

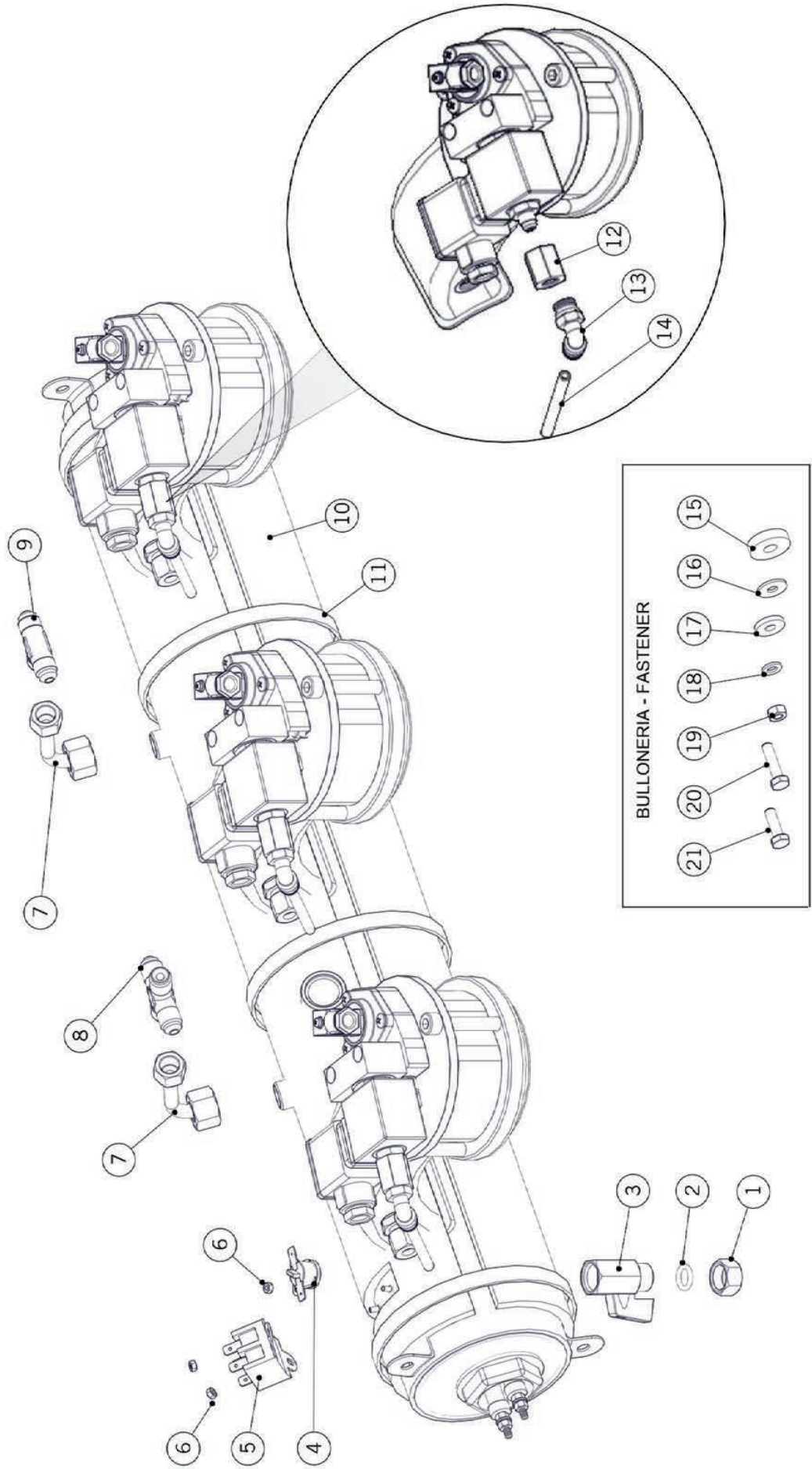
Item	Part number/Codice	Description	Description
1	L1003	WASHER 8,5X14X1,5 S/S A2	RONDELLA 8,5X14X1,5 INOX A2
2	L110.01	SCREW M8X52 SOCKET CAP S/S A2	VITE M8X52 TC A BRUGOLA INOX A2
3	LAD070/V	FLOW METER IMPELLER	GIRANTE X CONTATORE VOLUMET.
4	LAD070/S1	FLOW METER O-RING	GUARN.OR 8-2112 VX CONT.VOL.
5	LAD070/GC	FLOWMETER HEAD FOR KIT	TESTA CONT. VOLUM. KIT FLUSS.
6	CL22V	SCREW M4X12 PHILLIPS BUTTON HEAD S/S A2	VITE M4X12 TPB A CROCE INOX A2
7	LAD070/CGC	CONNECTORS FLOWMETER KIT	CONNETTORE CONT VOL. KIT FLUSSOMETRO
8	I.1.011	SCREW M5X14 SOCKET CAP S/S A2	VITE M5X14 TC BRUGOLA INOX A2
9	I.1.005	SCREW M5X10 SOCKET CAP S/S A2	VITE M5X10 TC A BRUGOLA INOX A2
10	L205	SOLENOID VALVE CONNECTOR	CONNETTORE PER ELETTROVALVOLA
11	L100/G.01	SV COIL 220-240V 8W UL CSA VDE	BOBINA EV 220-240V 8W UL CSA VDE
12	H.1.006	ORING 2025, 105, 2-010 VITON	O-RING PER CANOTTO
13	L120/2	SCREW M6X10 SOCKET CAP S/S A2	VITE M6X10 TC A BRUGOLA INOX A2
14	L120/2A	WASHER 6,3X12X1 COPPER	RONDELLA 6,3X12X1 RAME
15	F.3.032	GIGLEUR RUBY 0.6	GIGLEUR IN RUBINO 0.6
15	F.3.033.01	GIGLEUR RUBY 0.7	GIGLEUR IN RUBINO 0.7
15	F.3.034.01	GIGLEUR RUBY 0.8 AISI 316	GIGLEUR IN RUBINO 0.8 AISI 316
16	I.4.002	WASHER 8,3X12X1,5 COPPER	RONDELLA 8,3X12X1,5 RAME
17	I.1.019.01	SCREW M8X8 HEX HEAD S/S A2	VITE M8X8 TE INOX A2
18	L103/B	FIBER GASKET 87X81X0,5	GUARNIZ. PIANA 87X81X0,5 NOVUS
19	A.2.009.01	S/S GROUP ADAPTER	CANOTTO EROGAZIONE INOX
20	L100/1A	WASHER 13,5X19X1,5 COPPER	RONDELLA 13,5X19X1,5 RAME
21	B.1.003.01	RIGHT SIDE GROUP NECK CAP	TAPPO DX PER GRUPPO TRATT TEA
22	SA944	COPERCHIO GRUPPI AV INOX DI FORGIATURA	COPERCHIO GRUPPI AV INOX DI FORGIATURA
23	940/AV.01	AV GROUP CAP ASSEMBLY	KIT NUOVO COPERCHIO PER AV
24	L103/A	O-RING 2,62X75,87 VITON 70 SH A FDA	O-RING 2,62X75,87 VITON 70 ShA FDA

\* = Number of groups / Numero gruppi



**la marzocco**  
handmade in florence

# COFFEE BOILER ASSEMBLY





**la marzocco**

handmade in florence

# COFFEE BOILER ASSEMBLY

Item	Part number/Codice	Description	Description
1	L030	G3/8" BRASS CAP NUT	DADO CIECO ES.19 FILETT.3/8
2	H.1.004	O-RING 10,77X2,62 EPDM 85 SHA	O-RING 10.77X2.62 EPDM 85 SHA
3	L164.01	M-F G3/8" BALL VALVE	RUBINETTO A SFERA 3/8 M-F
4	L276.01	KLIXON TRIP FREE 130° THERMOSTAT	TERMOSTATO KLIXON TRIP FREE TEMP 130°
5	L276/B	BIPOLAR SAFETY THERMOSTAT	TERMOSTATO SICUREZZA C°130 BIP
6	DADO3M	NUT M3 H3 WR6 BRASS	DADO M3 H3 CH6 OTTONE
7	TL06	TUBE CROSS FITTING - COFFEE BOILER	TUBO CROCIERA - CALDAIA CAFFE'
8	L129	G1/4" CROSS FITTING	RACCORDO CROCE 1/4GAS NICH.
9	L128	TEE FITTING G1/4M TREATED	RACCORDO A T G1/4M TRATTATO
10	F.7.004	INSULATION PANEL 2GR COFFEE BOILER	ISOLANTE C. CAFFE' 2GR
	F.7.005	INSULATION PANEL 3GR COFFEE BOILER	ISOLANTE C. CAFFE' 3GR
11	A.5.016.01	PLASTIC FASTENER 750X7.5	FASCETTA NERA 750x7.5 NYLON
12	A.1.019	G1/4"-G1/8" FITTING	NIPPLO 1/4-1/8 SCARICO GRUPPO
13	A.2.103	G1/4-6 90° RAPID CONNECTION FITTING	RACCORDO RAPIDO CURVO 6-G1/4
14	T.3.006	PTFE TUBE 6x4mm	TUBETTO PTFE 6*4mm
15	F.6.001.01	SPACER 8,4X25X6 AL	DISTANZIALE 8,4X25X6 ALLUMINIO
16	L165/9	WASHER 6,5X18X1,5 GALVANIZED	RONDELLA 6,5X18X1,5 ZINCATO
17	I.1.043	WASHER 6,5x18x3	RONDELLA 6.5x18x3 zing M_RO
18	RONDELLA6X12	WASHER 6,4X12X1,5 S/S A2	RONDELLA 6,4X12X1,5 INOX A2
19	I.1.049	NUT M6 H5 WR10 S/S A2	DADO M6 H5 CH10 INOX A2
20	I.1.067	SCREW M6X25 HEX HEAD S/S A2	VITE M6X25 TE INOX A2
21	I.1.058	SCREW M6X20 HEX HEAD S/S	VITE M6X20 TE INOX
<b>Item</b>	<b>Part number/Codice</b>	<b>Description</b>	<b>Description</b>

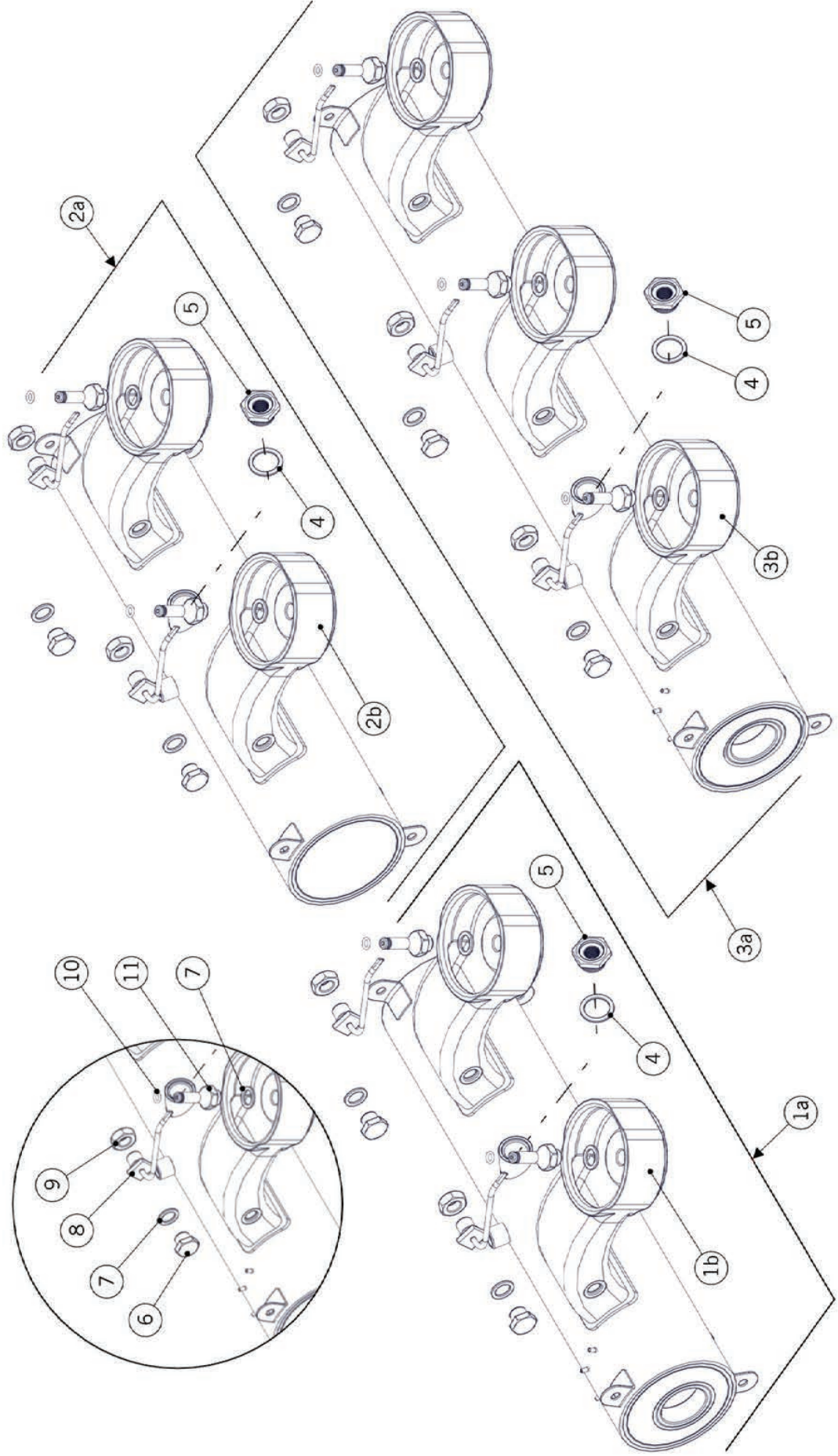
\* = Number of groups / Numero gruppi





**la marzocco**  
handmade in florence

# COFFEE BOILER ASSEMBLY







**la marzocco**  
handmade in florence

## COFFEE BOILER ASSEMBLY

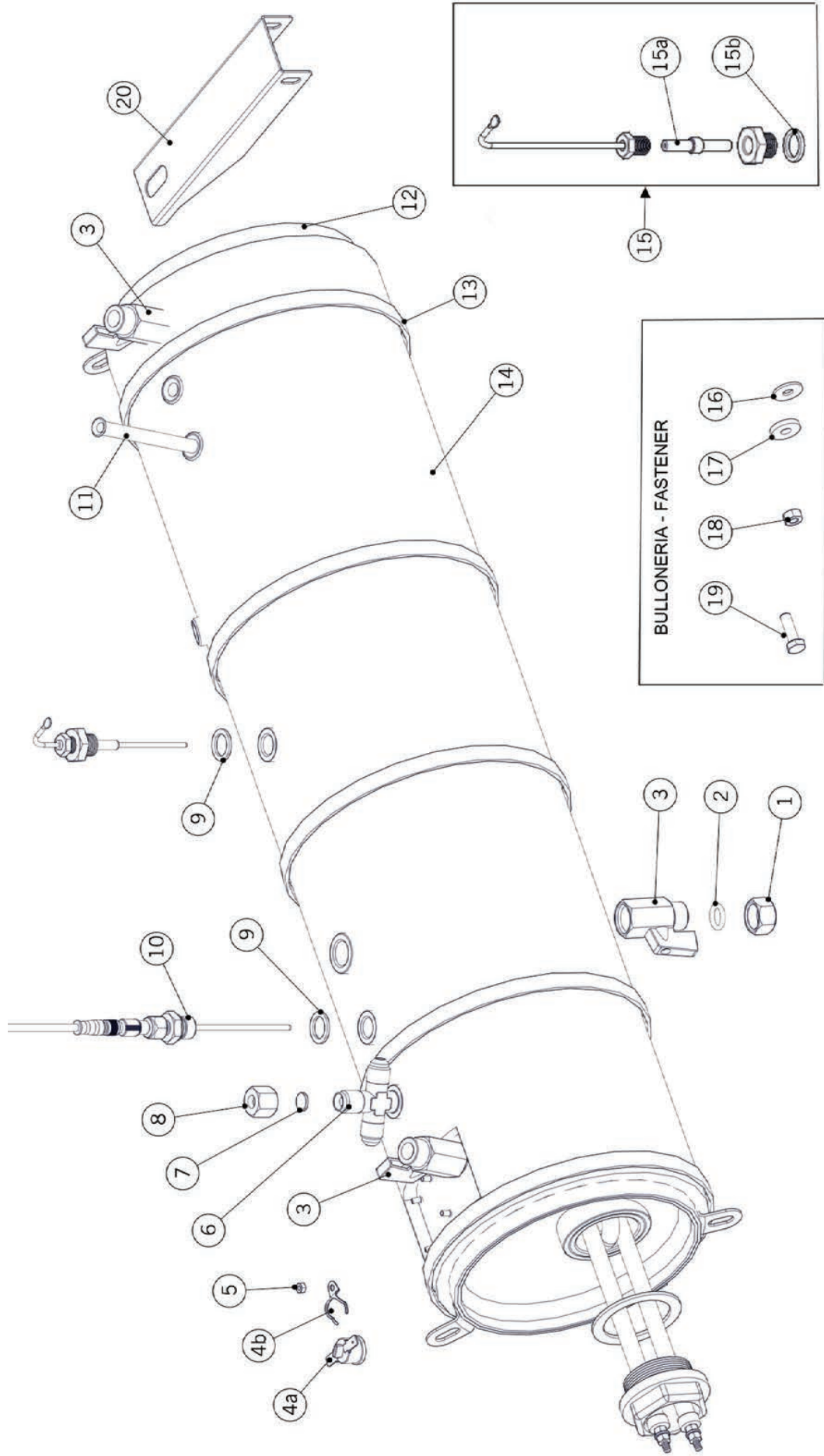
Caldaie Caffè Ricambi		Part number/Codice	Description	Description
1a	L.1.005.2GB.R	COFFEE B. 2GR WELD.GRPS F.S. GB5 (SPARE)		CALDAIA SATURA 2GR F.P. GB5 (RICAMBI)
1b	L.1.005.2	COFFEE BOILER 2GR WELD. GRPSS FLAT SIDES		CALDAIA SATURA 2GR SALD. FONDELLI PIATTI
2a	L.1.005.2DGB.R	COFFEE B. 2GR RIGHT F.SIDES GB5(SPARE)		CALDAIA SATURA DX 2GR F.P. GB5 (RICAMBI)
2b	L.1.005.2DX	COFFEE B. 2GR RIGHT WELD.GRPS FLAT SIDES		CALDAIA SATURA DX 2GR SALD. FOND. PIATTI
3a	L.1.005.3GB.R	COFFEE B. 3GR WELD.GRPS F.S. GB5 (SPARE)		CALDAIA SATURA 3GR F.P. GB5 (RICAMBI)
3b	L.1.005.3	COFFEE BOILER 3GR WELD. GRPSS FLAT SIDES		CALDAIA SATURA 3GR SALD. FONDELLI PIATTI
4	L260/1A	WASHER 21X27X1,5 COPPER		RONDELLA 21X27X1,5 RAME
5	A.2.007	PT1000 PROBE ADAPTOR		RIDUZIONE PER SONDA PT1000
6	A.5.022	S/S CAP 1/4		TAPPO 1/4 AISI 316L
7	L100/1A	WASHER 13,5X19X1,5 COPPER		RONDELLA 13,5X19X1,5 RAME
8	B.1.003.01	RIGHT SIDE GROUP NECK CAP		TAPPO DX PER GRUPPO TRATT TEA
9	L100/5	NUT G1/4 H8 WR20 BRASS		DADO G1/4 H8 CH20 OTTONE
10	H.1.006	ORING 20Z5, 105, 2-010 VITON		O-RING PER CANOTTO
11	A.2.009.01	S/S GROUP ADAPTER		CANOTTO EROGAZIONE INOX
Item				

\* = Number of groups / Numero gruppi



**la marzocco**  
handmade in florence

# STEAM BOILER





**la marzocco**  
handmade in florence

# STEAM BOILER

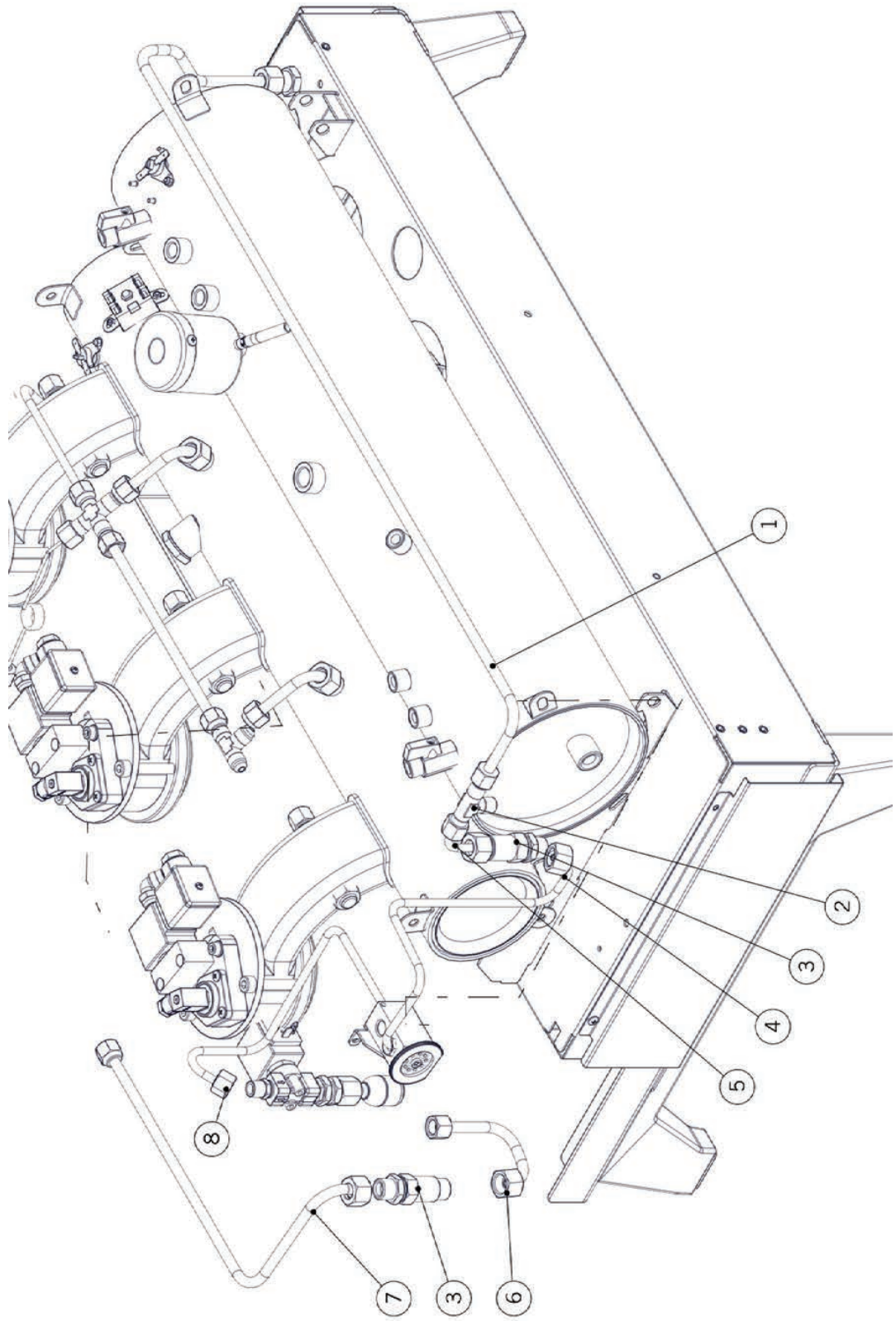
Item	Part number/Codice	Description	Descrizione
1	L030	G3/8" BRASS CAP NUT	DADO CIECO ES.19 FILETT.3/8
2	H.1.004	O-RING 10.77X2.62 EPDM 85 SHA	O-RING 10.77X2.62 EPDM 85 SHA
3	L164.01	M-F G3/8" BALL VALVE	RUBINETTO A SFERA 3/8 M-F
4b	L276.01S	L276.01 BRACKET	STAFFA SINGOLA A CLIP X L276.01
4a	L276.01	KLIXON TRIP FREE 130° THERMOSTAT	TERMOSTATO KLIXON TRIP FREE TEMP 130°
5	DADO3M	NUT M3 H3 WR6 BRASS	DADO M3 H3 CH6 OTTONE
6	L129	G1/4" CROSS FITTING	RACCORDO CROCE 1/4GAS NICH.
7	L137/4	11 MM. BLIND FERRULE	GHIANDINA DM.11 CHIUSA - NICK AL.
8	L130/4	FITTING G1/4F H13,5 WR17 BRASS	RACCORDO G1/4F H13,5 CH17 OTTONE
9	L100/1A	WASHER 13,5X19X1,5 COPPER	RONDELLA 13,5X19X1,5 RAME
10	E.1.005	PT1000 TEMPERATURE PROBE	SONDA DI TEMPERATURA PT1000
11	TL07/G	HOT WATER SUCTION PIPE	TUBO PESCAGGIO ACQUA C.V.GRANDE
	L.1.004.2	STEAM BOILER LINEA 2GR	CALDAIA VAPORE LINEA 2GR
12	L154/3VG	STEAM BOILER 3GR LINEA	CALDAIA VAPORE 3GR LINEA
	L.1.004.4	STEAM BOILER LINEA 4GR	CALDAIA VAPORE LINEA 4GR
13	A.5.016.01	PLASTIC FASTENER 750X7.5	FASCETTA NERA 750x7.5 NYLON
	F.7.013	INSULATION PANEL 3GR LINEA PB STEAM B.	ISOLANTE C. VAPORE LINEA PB 3GR
14	F.7.012	INSULATION PANEL 2GR LINEA PB STEAM B.	ISOLANTE C. VAPORE LINEA PB 2GR
	F.7.008.R	INSULATION PANEL 4GR LINEA PB STEAM B.	ISOLANTE C. VAPORE LINEA PB 4GR
15	LA052	WATER LEVEL PROBE	SONDA LIVELLO TL10/B 140MM.
15a	LA052/1	TEFLON INSULATOR PROBE	ISOLATORE IN TEFLON X SONDA
15b	LA052/A	AUTOFILL PROBE GASKET	GUARNIZIONE SONDA LIVELLO
16	L165/9	WASHER 6,5X18X1,5 GALVANIZED	RONDELLA 6,5X18X1,5 ZINCATA
17	I.1.043	WASHER 6,5x18x3	RONDELLA 6.5x18x3 zing M_RO
18	I.1.049	NUT M6 H5 WR10 S/S A2	DADO M6 H5 CH10 INOX A2
19	I.1.058	SCREW M6X20 HEX HEAD S/S	VITE M6X20 TE INOX
20	C.1.179	LINEA PB 4GR BOILER CENTRAL BRACKET	STAFFA CENTRALE CALDAIE LINEA PB 4GR
<b>Item</b>	<b>Part number/Codice</b>	<b>Description</b>	<b>Descrizione</b>

\* = Number of groups / Numero gruppi



**la marzocco**  
handmade in florence

# THERMOSTATIC VALVE VERSION - HYDRAULIC ASSEMBLY





**la marzocco**

handmade in florence

## THERMOSTATIC VALVE VERSION - HYDRAULIC ASSEMBLY

<b>Impianto Idramico</b>	
Item	Part number/Codice
1	T.1.091.*
2	L128
3	L032/P.01
4	T.1.082
5	T.1.005
6	T.1.104
7	T.1.090
8	T.1.087
Item	Part number/Codice
Description	

\* = Number of groups / Numero gruppi

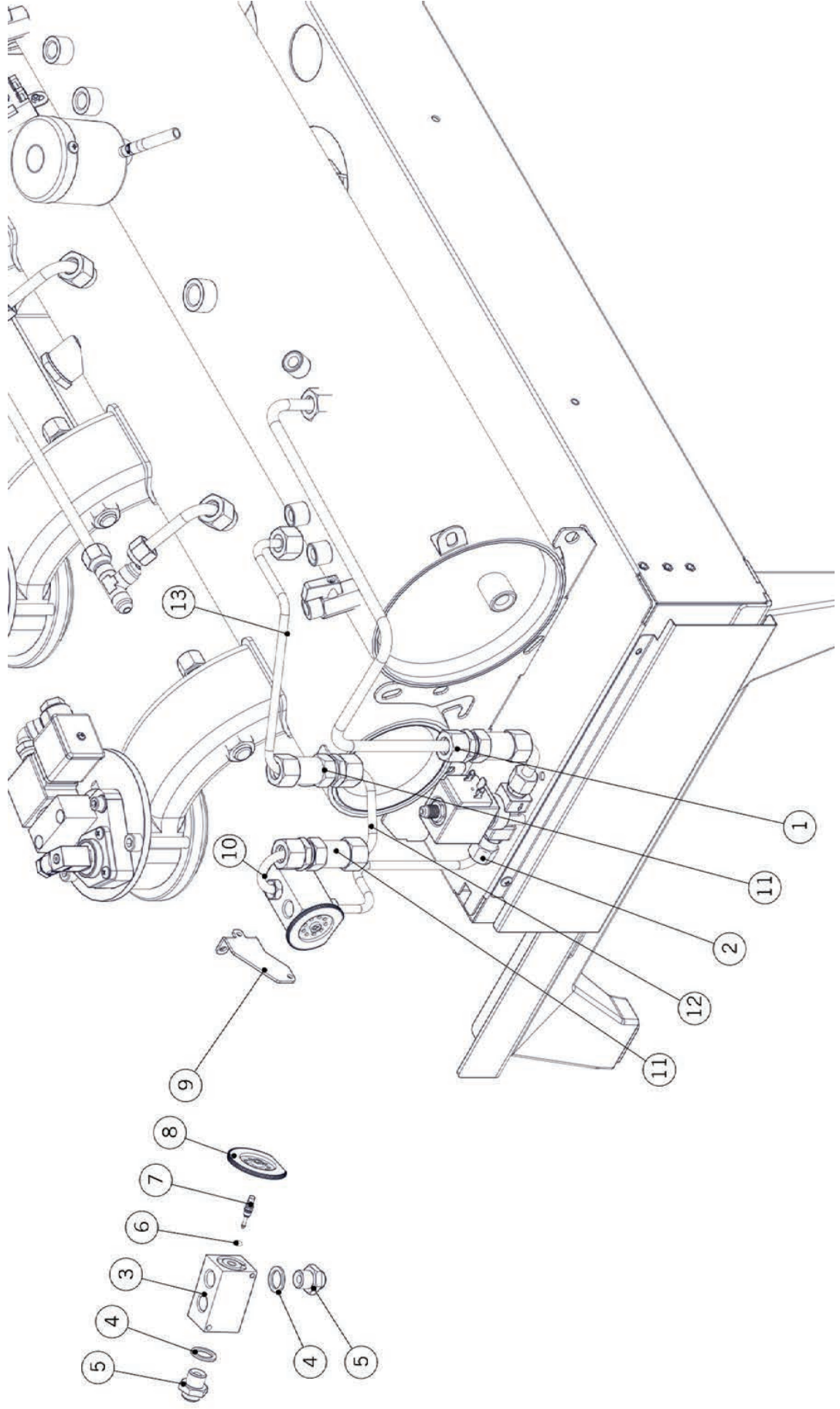
Item	Part number/Codice	Description
		TUBO INGR. ACQUA-V.RITEGNO LINEA PB *GR
		RACCORDO A T G1/4M TRATTATO
		VALVOLA DI RITEGNO G3/8M TRATTATA
		TUBO V.RITEGNO - V.MISCELAZIONE LINEA PB
		TUBO VALVOLA DI RITEGNO - T GB5
		TUBO V.RITEGNO - V.MISC. CAFFE' STRADA
		TUBO V.RITEGNO - INGR. CALDAIA CAFFE'
		TUBO V.MISC. TE' - INGR. EV TE' LINEA PB





**la marzocco**  
handmade in florence

# THERMOSTATIC VALVE VERSION - HYDRAULIC ASSEMBLY







**la marzocco**

handmade in florence

## THERMOSTATIC VALVE VERSION - HYDRAULIC ASSEMBLY

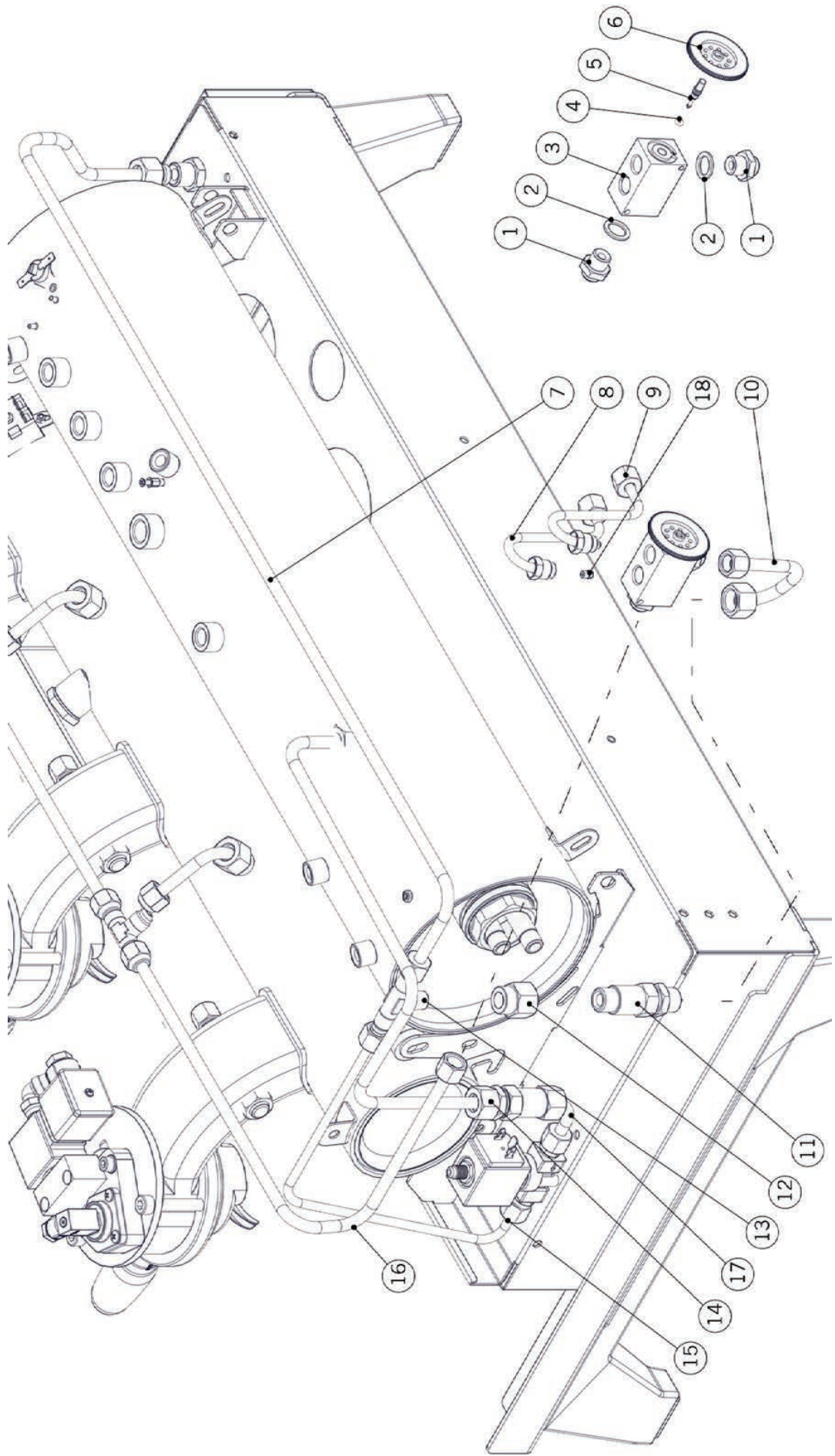
Item	Part number/Codice	Description	Description
1	T.1.084	TUBE CHECK VALVE - STEAM BOILER INLET	TUBO V.RITEGNO - INGRESSO C.VAPORE
2	T.1.083	TUBE TEA MIX V. - AUTOFILL SOLENOID V.	TUBO V. MISC. ACQUA CALDA - EV RIEMP.
3	B.2.007.01	MIXING VALVE BODY TREATED	CORPO VALVOLA MISCELATRICE TRATTATA
4	L100/1A	WASHER 13,5X19X1,5 COPPER	RONDELLA 13,5X19X1,5 RAME
5	A.5.019	1/4M S/S NIPPLE HEX.19 STRADA	NIPPLIO 1/4M ES. 19 STRADA
6	H.1.007	VITON OR-THERMOSTATIC VALVE	OR VITON X VALV. TERMOST. GS/3
7	F.3.008	THERMOSTATIC VALVE PIN	SPINA X VALV. TERMOSTATICA
8	F.1.062	TEMPERATURE ADJUSTMENT KNOB	GHIERA REGOLAZIONE TEMPERATURA
9	C.1.216	BRACKET MIXING VALVE LINEA PB	STAFFA VALVOLA DI MISCELAZIONE LINEA PB
10	T.1.093	TUBE CHECK V. - TEA MIX V. LINEA PB	TUBO V.RITEGNO - V.MISC. TE' LINEA PB
11	L032/P.01	CHECK VALVE G3/8M TREATED	VALVOLA DI RITEGNO G3/8M TRATTATA
12	T.1.086	TUBE S.B. CHECK V. - TEA MIX V. CHECK V.	TUBO V.RITEGNO C.V.-V.RITEGNO V.MISC.TE'
13	T.1.085	TUBE STEAM B. - HOT WATER CHECK VALVE	TUBO C.VAPORE - V.RITEGNO ACQUA CALDA
Item	Part number/Codice	Description	Description

\* = Number of groups / Numero gruppi



**la marzocco**  
handmade in florence

# PREHEATER VERSION - HYDRAULIC ASSEMBLY





**la marzocco**

handmade in florence

## PREHEATER VERSION - HYDRAULIC ASSEMBLY

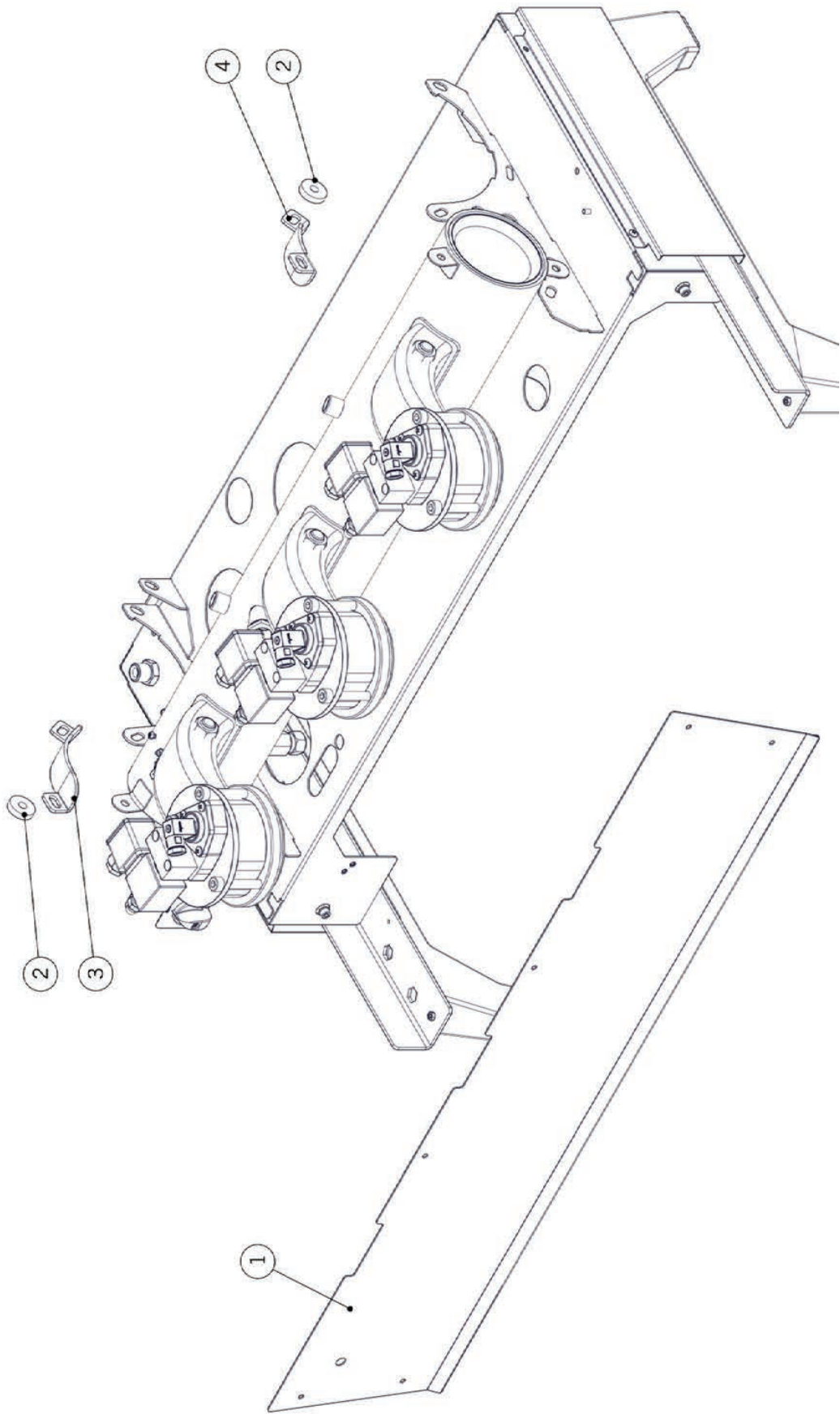
Impianto Idraulico		Part number/Codice	Description / Numero gruppi	Description
1	A.5.019	1/4M S/S NIPPLE HEX.19 STRADA	NIPPOLO 1/4M ES. 19 STRADA	
2	L100/1A	WASHER 13,5X19X1,5 COPPER	RONDELLA 13,5X19X1,5 RAME	
3	B.2.007.01	MIXING VALVE BODY TREATED	CORPO VALVOLA MISCELATRICE TRATTATA	
4	H.1.007	VITON OR-THERMOSTATIC VALVE	OR VITON X VALV. TERMOST. GS/3	
5	F.3.008	THERMOSTATIC VALVE PIN	SPINA X VALV. TERMOSTATICA	
6	F.1.016	THERMOSTATIC VALVE ADJUSTMENT KNOB	GHIERA REGOLAZIONE VALVOLA TERMOSTATICA	
7	T.1.091.*	TUBE WATER IN. - CHECK V. LINEA PB *GR	TUBO INGR. ACQUA-V.RITEGNO LINEA PB *GR	
8	T.1.106	TUBE MIXING VALVE - PRE-HEATER STRADA	TUBO V.MISC. - PRERISC. STRADA	
9	T.1.107	TUBE PRE-HEATER - MIXING VALVE STRADA	TUBO PRERISC. - V. MISC. STRADA	
10	T.1.104	TUBE CHECK V. - COFFEE MIXING V. STRADA	TUBO V.RITEGNO - V.MISC. CAFFE' STRADA	
11	L032/P.01	CHECK VALVE G3/8M TREATED	VALVOLA DI RITEGNO G3/8M TRATTATA	
12	A.2.004	FITTING G1/4F-G3/8F WR22 BRASS	RACCORDO G1/4F-G3/8F CH22 OTTONE	
13	L128	TEE FITTING G1/4M TREATED	RACCORDO A T G1/4M TRATTATO	
14	T.1.084	TUBE CHECK VALVE - STEAM BOILER INLET	TUBO V.RITEGNO - INGRESSO C.VAPORE	
15	T.1.089	TUBE CROSS FITTING H2O IN.-AUTOFILL V.	TUBO CROCIERA INGR. H2O - EV RIEMP.	
16	T.1.088	TUBE MIXING VALVE - COFFEE B. INLET	TUBO VALVOLA DI MISC. - INGR. C.CAFFE'	
17	T.1.117	TUBE AUTOFILL SOLENOID V. - CHECK VALVE	TUBO EV. RIEMP. - VALVOLA DI RITEGNO	
18	B.2.011	MIXING VALVE GIGLEUR D 1,5mm	GIGLEUR D 1,5mm VALVOLA MISCELAZIONE	
<b>Item</b>	<b>Part number/Codice</b>	<b>Description</b>	<b>Description</b>	<b>Description</b>

\* = Number of groups / Numero gruppi



**la marzocco**  
handmade in florence

# PREHEATER AND THERMOST. VALVE VERSION - BODY PANEL ASSEMBLY





**la marzocco**  
handmade in florence

## PREHEATER AND THERMOST. VALVE VERSION - BODY PANEL ASSEMBLY

<b>Carrozzeria</b>		<b>Part number/Codice</b>	<b>Description</b>	<b>Description</b>
1	C.1.218.*	PANEL SWITCH LINEA PB *GR NO SIGHT GLASS	PANN.INTERR.GEN. LINEA PB *GR NO OBLO'	
2	F.6.001.01	SPACER 8,4X25X6 AL	DISTANZIALE 8,4X25X6 ALLUMINIO	
3	C.1.036.SX	BRACKET LEFT BOILER GB5	STAFFA SINISTRA CALDAIA GB5	
4	C.1.036.DX	BRACKET RIGHT BOILER GB5	STAFFA DESTRA CALDAIA GB5	
<b>Item</b>				<b>Description</b>

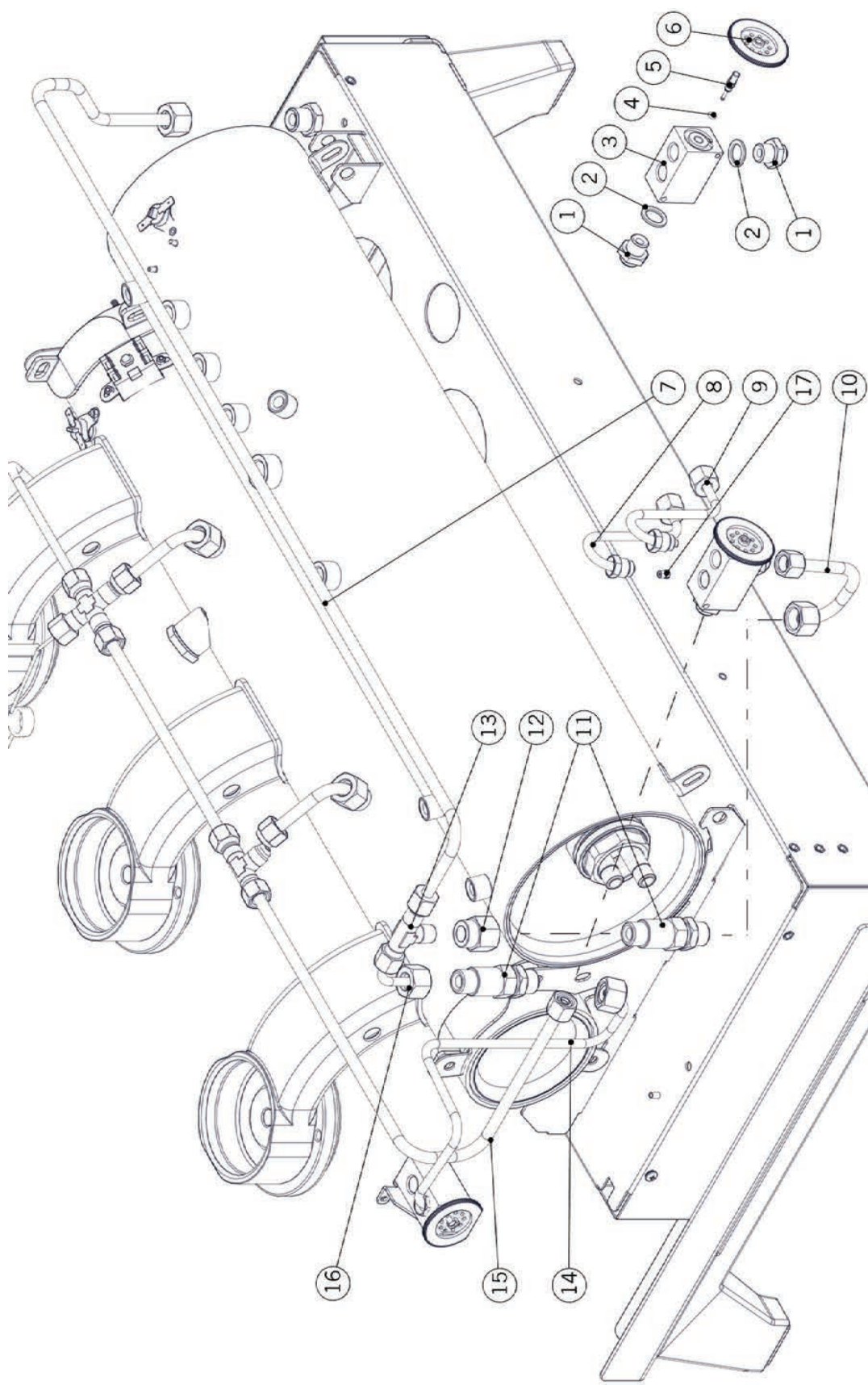
\* = Number of groups / Numero gruppi





**la marzocco**  
handmade in florence

# PREHEATER AND THERMOST. VALVE VERSION - HYDRAULIC ASSEMBLY







**la marzocco**

handmade in florence

## PREHEATER AND THERMOST. VALVE VERSION - HYDRAULIC ASSEMBLY

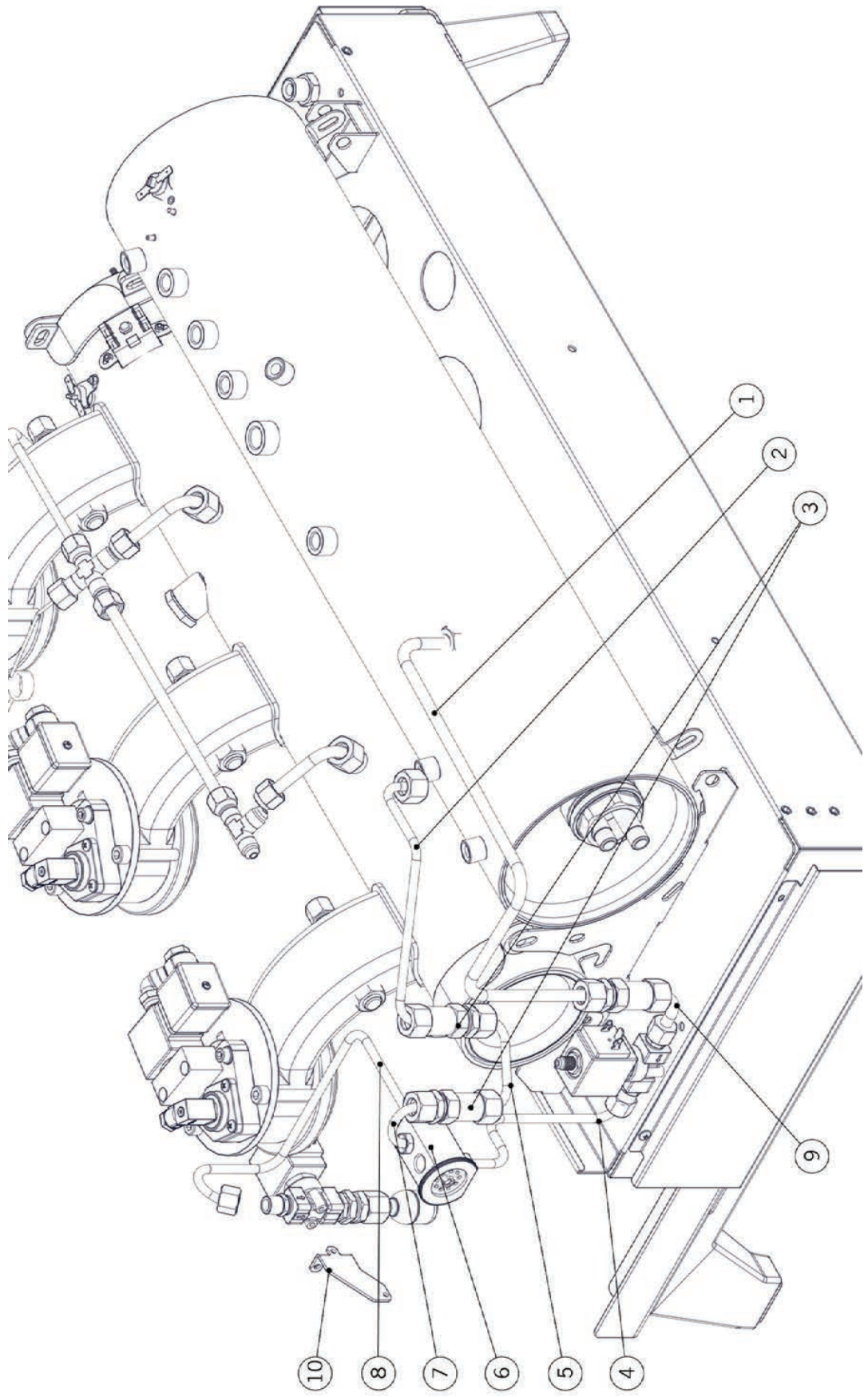
Item	Part number/Codice	Description	Description
1	A.5.019	1/4M S/S NIPPLE HEX.19 STRADA	NIPPOLO 1/4M ES. 19 STRADA
2	L100/1A	WASHER 13,5X19X1,5 COPPER	RONDELLA 13,5X19X1,5 RAME
3	B.2.007.01	MIXING VALVE BODY TREATED	CORPO VALVOLA MISCELATRICE TRATTATA
4	H.1.007	VITON OR-THERMOSTATIC VALVE	OR VITON X VALV. TERMOST. GS/3
5	F.3.008	THERMOSTATIC VALVE PIN	SPINA X VALV. TERMOSTATICA
6	F.1.016	THERMOSTATIC VALVE ADJUSTMENT KNOB	GHIERA REGOLAZIONE VALVOLA TERMOSTATICA
7	T.1.091.*	TUBE WATER IN. - CHECK V. LINEA PB *GR	TUBO INGR. ACQUA-V.RITEGNO LINEA PB *GR
8	T.1.106	TUBE MIXING VALVE - PRE-HEATER STRADA	TUBO V.MISC. - PRERISC. STRADA
9	T.1.107	TUBE PRE-HEATER - MIXING VALVE STRADA	TUBO PRERISC. - V. MISC. STRADA
10	T.1.104	TUBE CHECK V. - COFFEE MIXING V. STRADA	TUBO V.RITEGNO - V.MISC. CAFFE' STRADA
11	L032/P.01	CHECK VALVE G3/8M TREATED	VALVOLA DI RITEGNO G3/8M TRATTATA
12	A.2.004	FITTING G1/4F-G3/8F WR22 BRASS	RACCORDO G1/4F-G3/8F CH22 OTTONE
13	L128	TEE FITTING G1/4M TREATED	RACCORDO A T G1/4M TRATTATO
14	T.1.082	TUBE CHECK VALVE - MIXING VALVE LINEA PB	TUBO V.RITEGNO - V.MISCELAZIONE LINEA PB
15	T.1.088	TUBE MIXING VALVE - COFFEE B. INLET	TUBO VALVOLA DI MISC. - INGR. C.CAFFE'
16	T.1.005	TUBE CHECK VALVE - TEE FITTING GB5	TUBO VALVOLA DI RITEGNO - T GB5
17	B.2.011	MIXING VALVE GIGLEUR D 1,5mm	GIGLEUR D 1,5mm VALVOLA MISCELAZIONE
<b>Item</b>	<b>Part number/Codice</b>	<b>Description</b>	<b>Description</b>

\* = Number of groups / Numero gruppi



**la marzocco**  
handmade in florence

# PREHEATER AND THERMOST. VALVE VERSION - HYDRAULIC ASSEMBLY





**la marzocco**

handmade in florence

## PREHEATER AND THERMOST. VALVE VERSION - HYDRAULIC ASSEMBLY

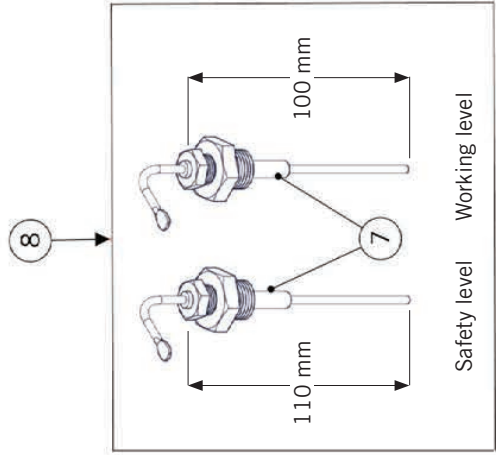
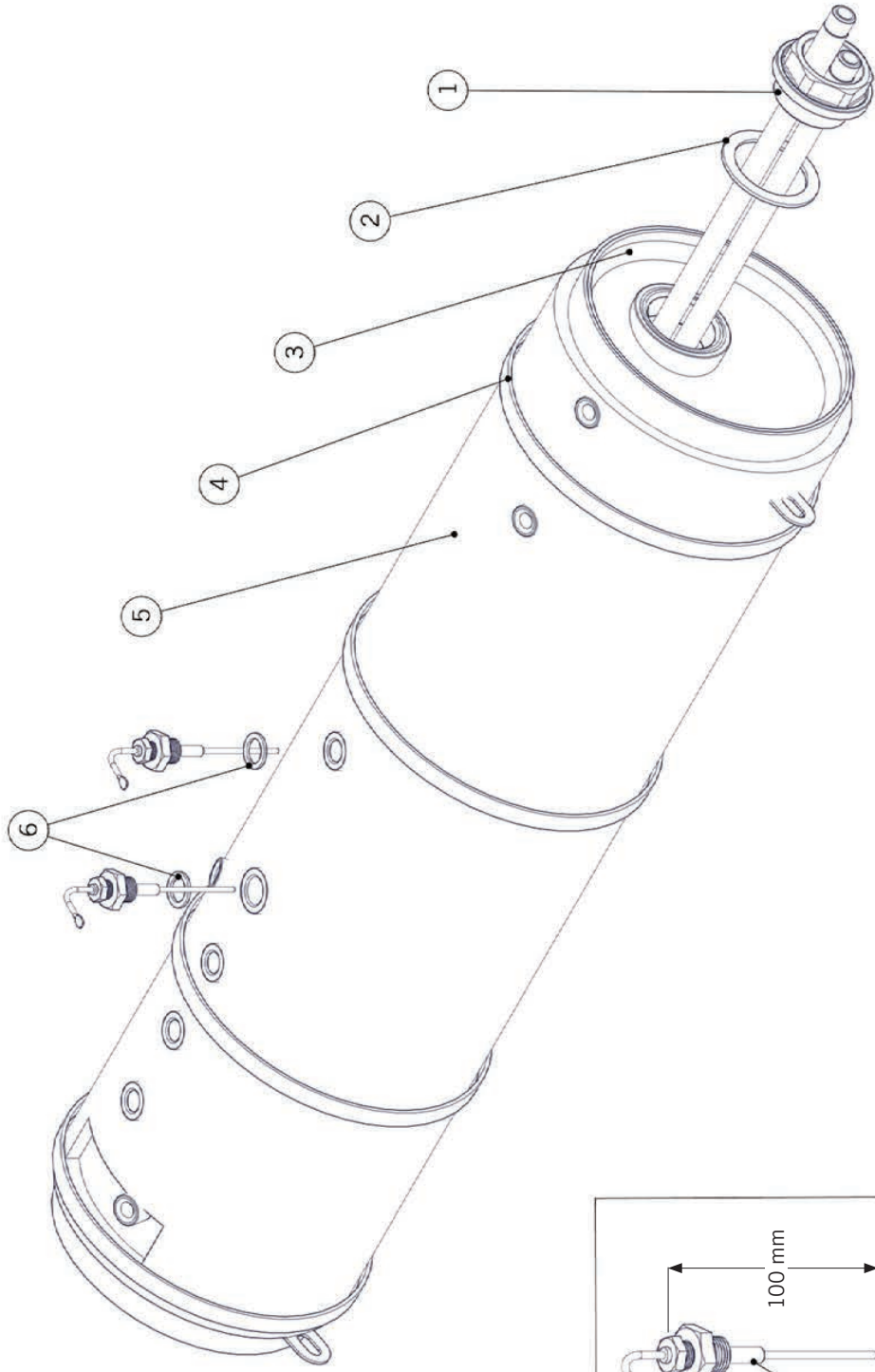
Impianto Idraulico		Part number/Codice	Description	Description
1	T.1.084	TUBE CHECK VALVE - STEAM BOILER INLET	TUBO V.RITEGNO - INGRESSO C.VAPORE	
2	T.1.085	TUBE STEAM B. - HOT WATER CHECK VALVE	TUBO C.VAPORE - V.RITEGNO ACQUA CALDA	
3	L032/P.01	CHECK VALVE G3/8M TREATED	VALVOLA DI RITEGNO G3/8M TRATTATA	
4	T.1.083	TUBE TEA MIX V. - AUTOFILL SOLENOID V.	TUBO V. MISC. ACQUA CALDA - EV RIEMP.	
5	T.1.086	TUBE S.B. CHECK V. - TEA MIX V. CHECK V.	TUBO V.RITEGNO C.V.-V.RITEGNO V.MISC.TE'	
6	B.2.007.01	MIXING VALVE BODY TREATED	CORFO VALVOLA MISCELATRICE TRATTATA	
7	T.1.093	TUBE CHECK V. - TEA MIX V. LINEA PB	TUBO V.RITEGNO - V.MISC. TE' LINEA PB	
8	T.1.087	TUBE TEA MIX V.-TEA SOLENOID V. INLET	TUBO V.MISC. TE' - INGR. EV TE' LINEA PB	
9	T.1.117	TUBE AUTOFILL SOLENOID V. - CHECK VALVE	TUBO EV. RIEMP. - VALVOLA DI RITEGNO	
10	C.1.216	BRACKET MIXING VALVE LINEA PB	STAFFA VALVOLA DI MISCELAZIONE LINEA PB	
Item			Description	Description

\* = Number of groups / Numero gruppi



**la marzocco**  
handmade in florence

# SINGLE BOILER, PREHEATER VERSION AND THERMOST. VALVE VERSION - STEAM BOILER ASSEMBLY





**la marzocco**

handmade in florence

# SINGLE BOILER, PREHEATER VERSION AND THERMOST. VALVE VERSION - STEAM BOILER ASSEMBLY

Caldaia Vapore					
Item	Part number/Codice	Description	Description	Description	Description
1	T.1.019.02	PREHEATER 3GR L584 MM WITH Y JOINT	PREHEATER 3GR L 584 MM CON Y	PRERISCALDATORE 3GR L 584 MM CON Y	
	T.1.015.02	PREHEATER 2GR L384 MM WITH Y JOINT	PREHEATER 2GR L384 MM WITH Y JOINT	PRERISCALDATORE 2GR L 384 mm CON Y	
2	LR360	1-1/4 HEATER ELEMENT GASKET		GUARNIZIONE PIANA DM.55X42X2	
3	L154/**VGB5.R	STEAM BOILER *GR GB5 (SPARE PARTS)		CALDAIA VAPORE *GR GB5 (RICAMBI)	
4	A.5.016.01	PLASTIC FASTENER 750X7.5		FASCETTA NERA 750x7.5 NYLON	
5	F.7.010	INSULATION PANEL 3GR GB5 STEAM B.		ISOLANTE C. VAPORE GB5 3GR	
6	L100/1A	WASHER 13,5X19X1,5 COPPER		RONDELLA 13,5X19X1,5 RAME	
7	LA052/1	TEFLON INSULATOR PROBE		ISOLATORE IN TEFLON X SONDA	
8	LA052	WATER LEVEL PROBE		SONDA LIVELLO TL10/B 140MM.	

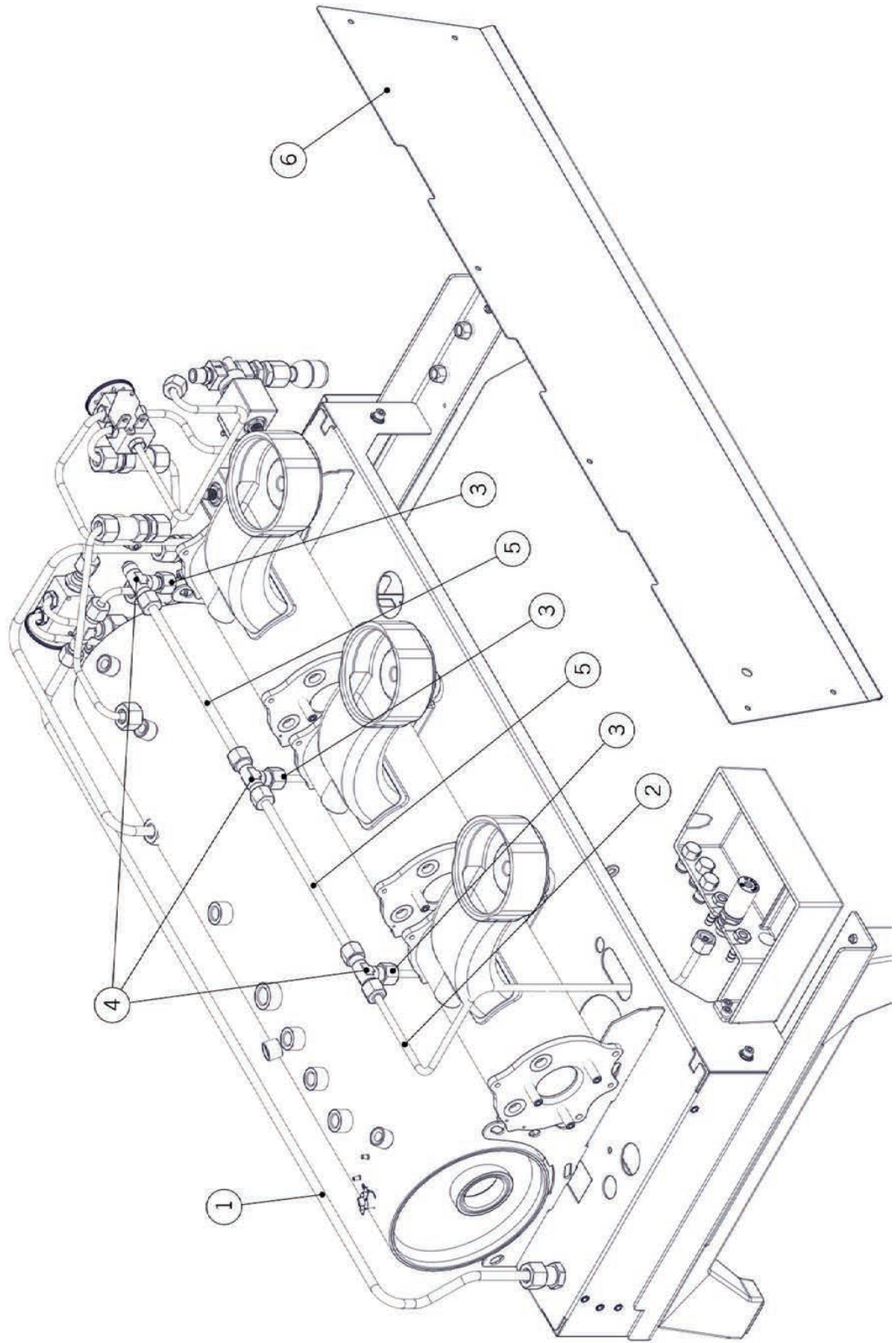
\* = Number of groups / Numero gruppi





**la marzocco**  
handmade in florence

# SINGLE BOILER VERSION - HYDRAULIC ASSEMBLY







**la marzocco**  
handmade in florence

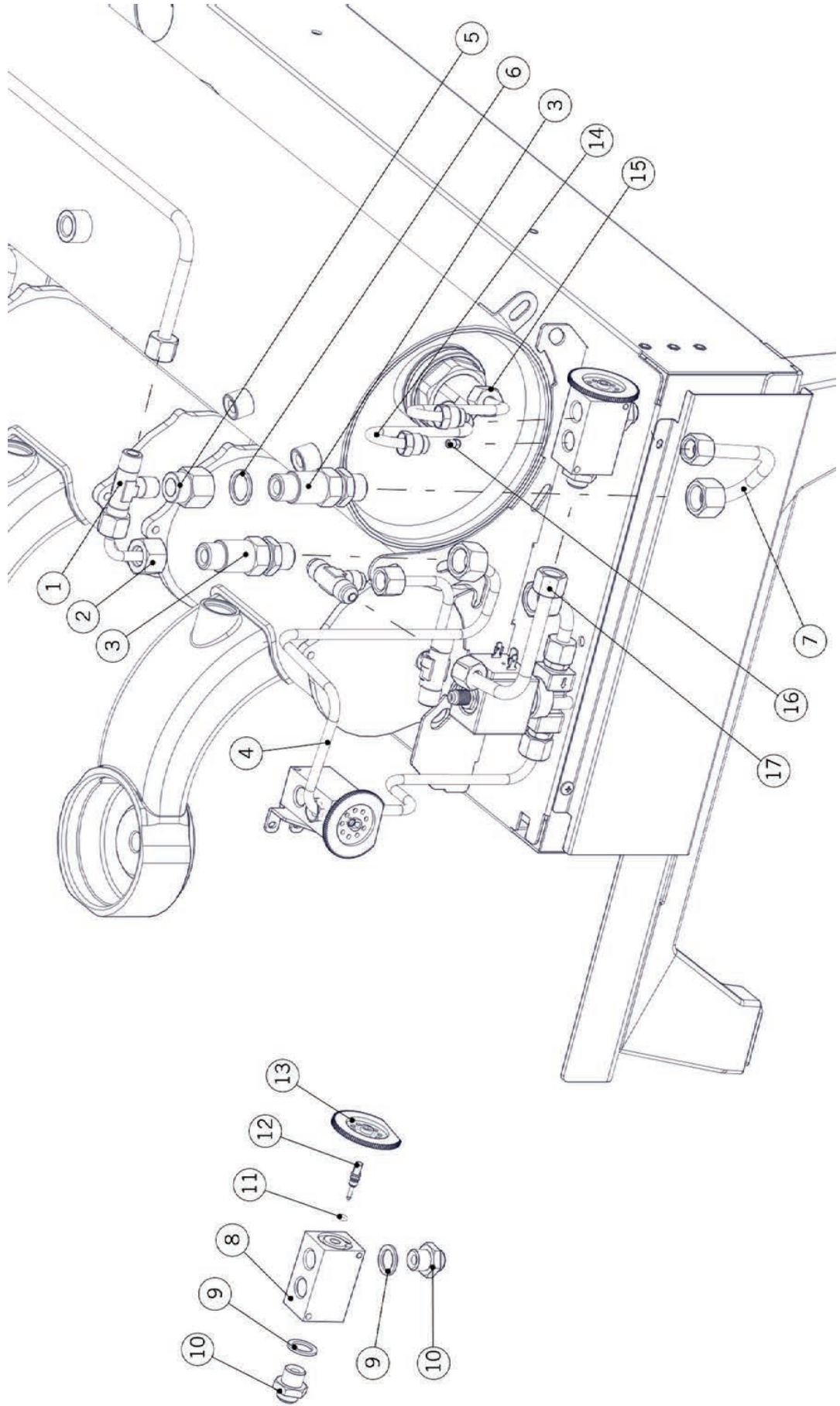
## SINGLE BOILER VERSION - HYDRAULIC ASSEMBLY

<b>Impianto Idrraulico</b>				
Item	Part number/Codice	Description	* = Number of groups / Numero gruppi	
1	T.1.091.*	TUBE WATER IN. - CHECK V. LINEA PB *GR	TUBO INGR. ACQUA-V.RITEGNO LINEA PB *GR	
2	T.1.081	TUBE COFFEE BOILER - EXPANSION VALVE	TUBO CALDAIA CAFFE' - VALVOLA ESPANSIONE	
3	T.1.112	TUBE COFFEE BOILER - TEE FITTING STRADA	TUBO CALDAIA CAFFE' - T STRADA	
4	L128	TEE FITTING G1/4M TREATED	RACCORDO A T G1/4M TRATTATO	
5	T.1.113	TUBE COFFEE B. CONNECTION STRADA MP	TUBO COLLEGAMENTO C.CAFFE' STRADA MP	
6	C.1.218.*	PANEL SWITCH LINEA PB *GR NO SIGHT GLASS	PANN.INTERR.GEN. LINEA PB *GR NO OBLO'	
Item	Part number/Codice	Description	* = Number of groups / Numero gruppi	



**la marzocco**  
handmade in florence

# SINGLE BOILER VERSION - HYDRAULIC ASSEMBLY





**la marzocco**

handmade in florence

## SINGLE BOILER VERSION - HYDRAULIC ASSEMBLY

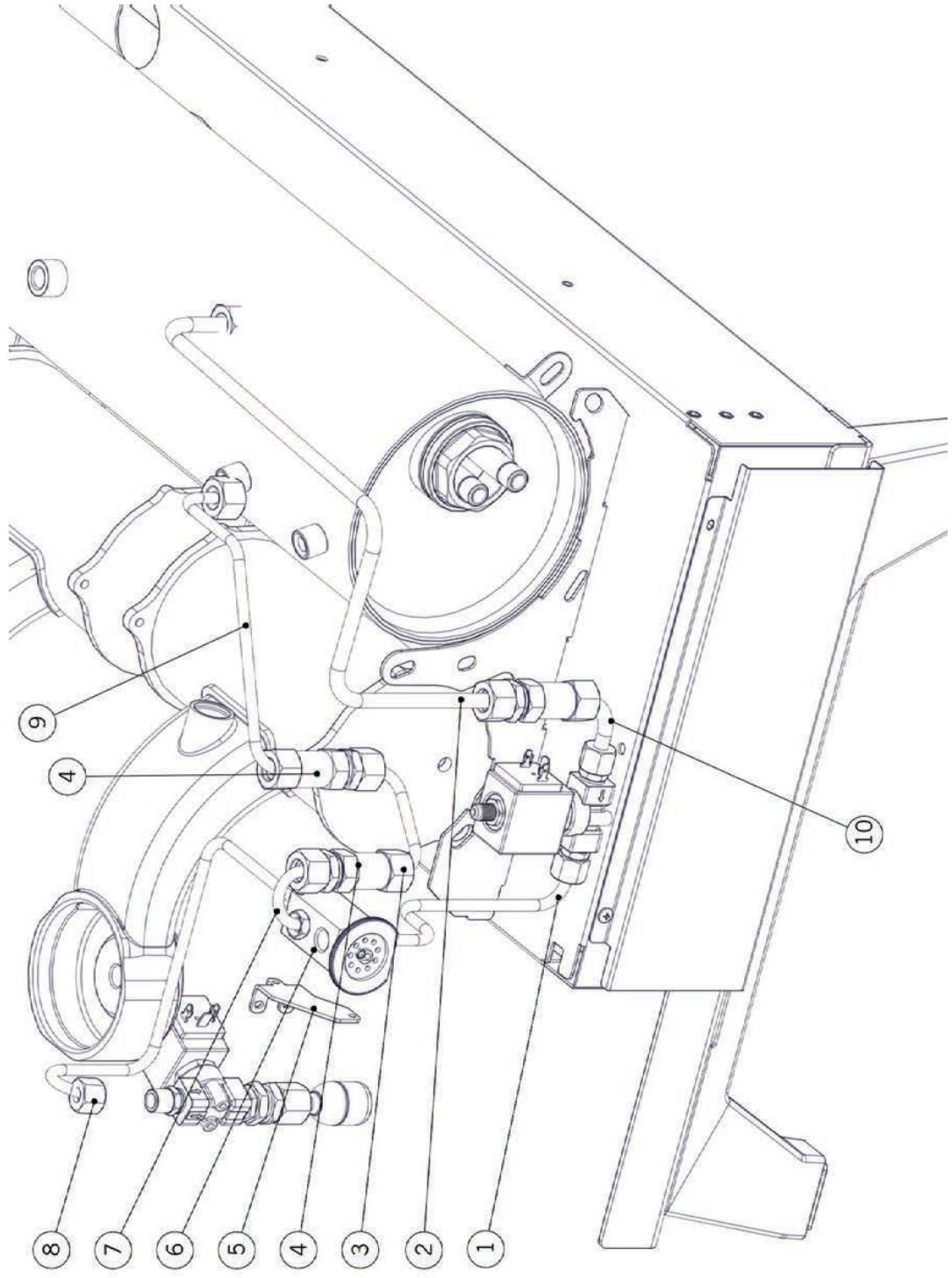
Item	Part number/Codice	Description	Description
1	L128	TEE FITTING G1/4M TREATED	RACCORDO A T G1/4M TRATTATO
2	T.1.005	TUBE CHECK VALVE - TEE FITTING GB5	TUBO VALVOLA DI RITEGNO - T GB5
3	L032/P.01	CHECK VALVE G3/8M TREATED	VALVOLA DI RITEGNO G3/8M TRATTATA
4	T.1.082	TUBE CHECK VALVE - MIXING VALVE LINEA PB	TUBO V.RITEGNO - V.MISCELAZIONE LINEA PB
5	A.2.004	FITTING G1/4F-G3/8F WR22 BRASS	RACCORDO G1/4F-G3/8F CH22 OTTONE
6	L180/1	WASHER 22X17X1.5 COPPER	RONDELLA 17X22X1,5 RAME
7	T.1.104	TUBE CHECK V. - COFFEE MIXING V. STRADA	TUBO V.RITEGNO - V.MISC. CAFFE' STRADA
8	B.2.007.01	MIXING VALVE BODY TREATED	CORPO VALVOLA MISCELATRICE TRATTATA
9	L100/1A	WASHER 13,5X19X1,5 COPPER	RONDELLA 13,5X19X1,5 RAME
10	A.5.019	1/4M S/S NIPPLE HEX.19 STRADA	NIPPLO 1/4M ES. 19 STRADA
11	H.1.007	VITON OR-THERMOSTATIC VALVE	OR VITON X VALV. TERMOST. GS/3
12	F.3.008	THERMOSTATIC VALVE PIN	SPINA X VALV. TERMOSTATICA
13	F.1.062	TEMPERATURE ADJUSTMENT KNOB	GHIERA REGOLAZIONE TEMPERATURA
14	T.1.106	TUBE MIXING VALVE - PRE-HEATER STRADA	TUBO V.MISC. - PRERISC. STRADA
15	T.1.107	TUBE PRE-HEATER - MIXING VALVE STRADA	TUBO PRERISC. - V. MISC. STRADA
16	B.2.011	MIXING VALVE GIGLEUR D 1,5mm	GIGLEUR D 1,5mm VALVOLA MISCELAZIONE
17	T.1.080	TUBE MIX V. - COFFEE B. TEE LINEA PB	TUBO V. MISC. - T.C.CAFFE' LINEA PB
<b>Item</b>	<b>Part number/Codice</b>	<b>Description</b>	<b>Description</b>

\* = Number of groups / Numero gruppi



**la marzocco**  
handmade in florence

## SINGLE BOILER VERSION - HYDRAULIC ASSEMBLY





**la marzocco**  
handmade in florence

## SINGLE BOILER VERSION - HYDRAULIC ASSEMBLY

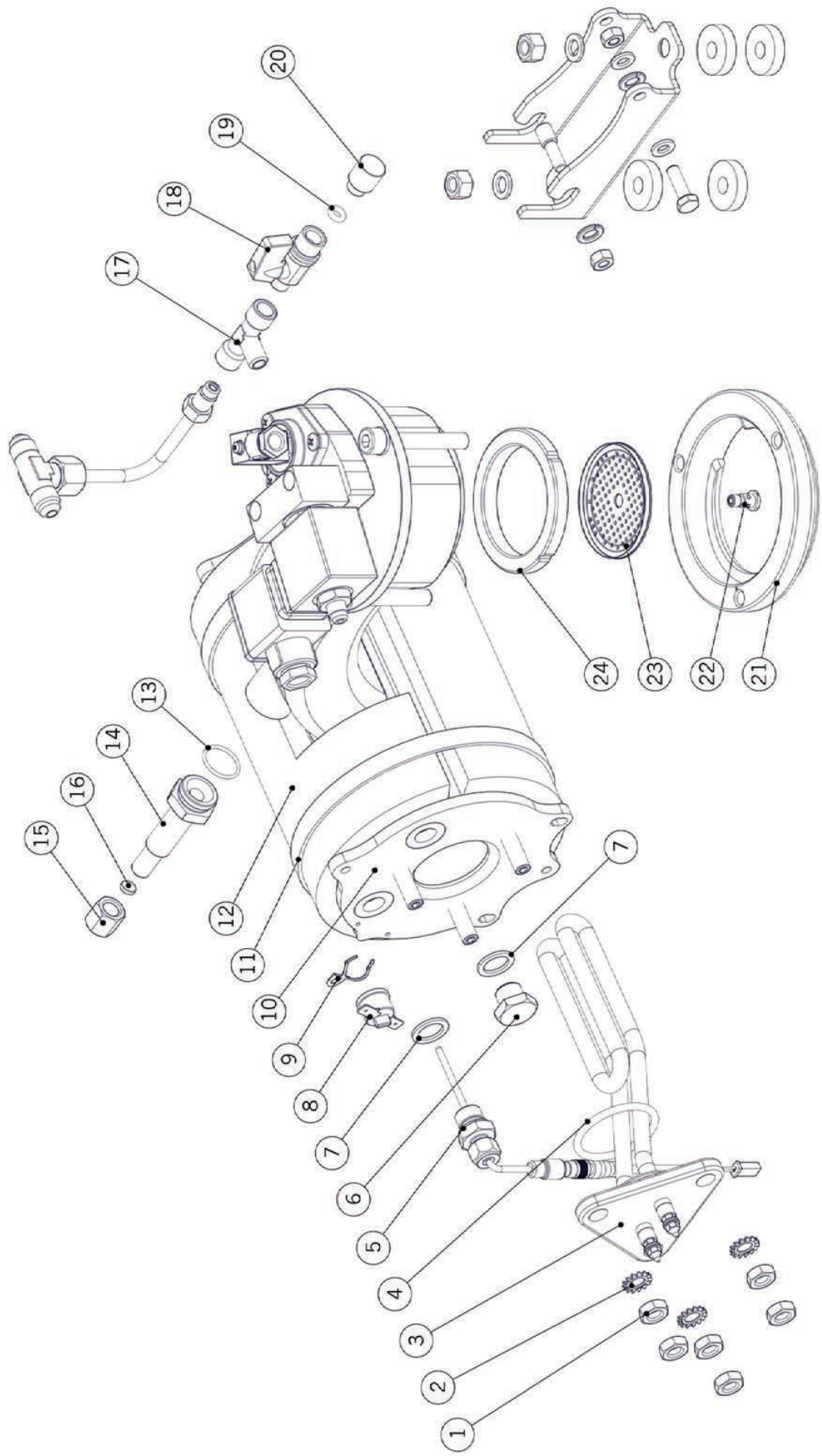
Impianto Idraulico				
Item	Part number/Codice	Description	* = Number of groups / Numero gruppi	
1	T.1.083	TUBE TEA MIX V. - AUTOFILL SOLENOID V.	TUBO V. MISC. ACQUA CALDA - EV RIEMP.	
2	T.1.084	TUBE CHECK VALVE - STEAM BOILER INLET	TUBO V.RITEGNO - INGRESSO C.VAPORE	
3	T.1.086	TUBE S.B. CHECK V. - TEA MIX V. CHECK V.	TUBO V.RITEGNO C.V.-V.RITEGNO V.MISC.TE'	
4	L032/P.01	CHECK VALVE G3/8M TREATED	VALVOLA DI RITEGNO G3/8M TRATTATA	
5	C.1.216	BRACKET MIXING VALVE LINEA PB	STAFFA VALVOLA DI MISCELAZIONE LINEA PB	
6	B.2.007.01	MIXING VALVE BODY TREATED	CORPO VALVOLA MISCELATRICE TRATTATA	
7	T.1.093	TUBE CHECK V. - TEA MIX V. LINEA PB	TUBO V.RITEGNO - V.MISC. TE' LINEA PB	
8	T.1.087	TUBE TEA MIX V.-TEA SOLENOID V. INLET	TUBO V.MISC. TE' - INGR. EV TE' LINEA PB	
9	T.1.085	TUBE STEAM B. - HOT WATER CHECK VALVE	TUBO C.VAPORE - V.RITEGNO ACQUA CALDA	
10	T.1.117	TUBE AUTOFILL SOLENOID V. - CHECK VALVE	TUBO EV. RIEMP. - VALVOLA DI RITEGNO	
Item	Part number/Codice	Description	* = Number of groups / Numero gruppi	
			Descrizione	





**la marzocco**  
handmade in florence

# SINGLE BOILER VERSION - COFFEE BOILER ASSEMBLY



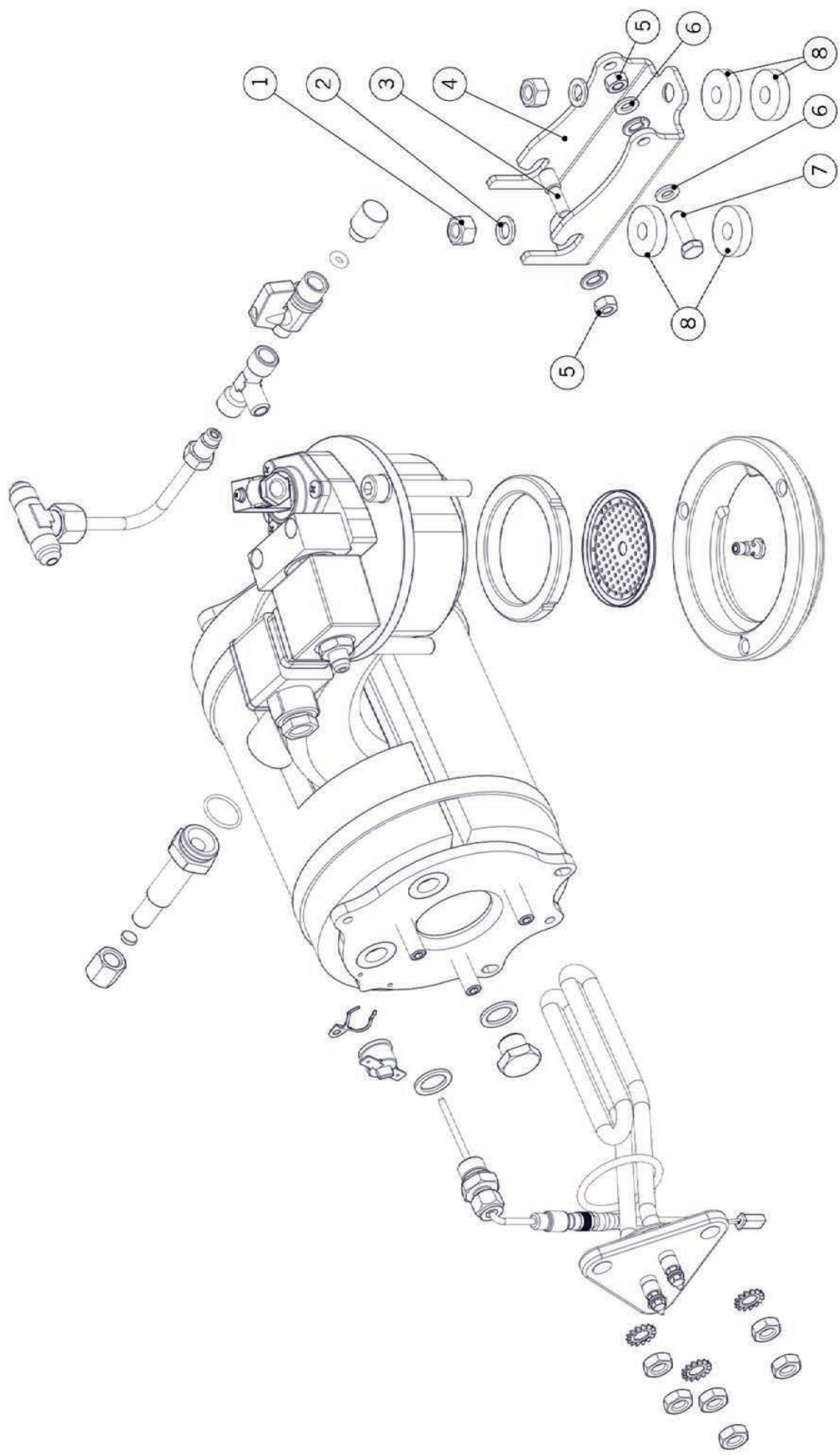






**la marzocco**  
handmade in florence

# SINGLE BOILER VERSION - COFFEE BOILER ASSEMBLY





**la marzocco**  
handmade in florence

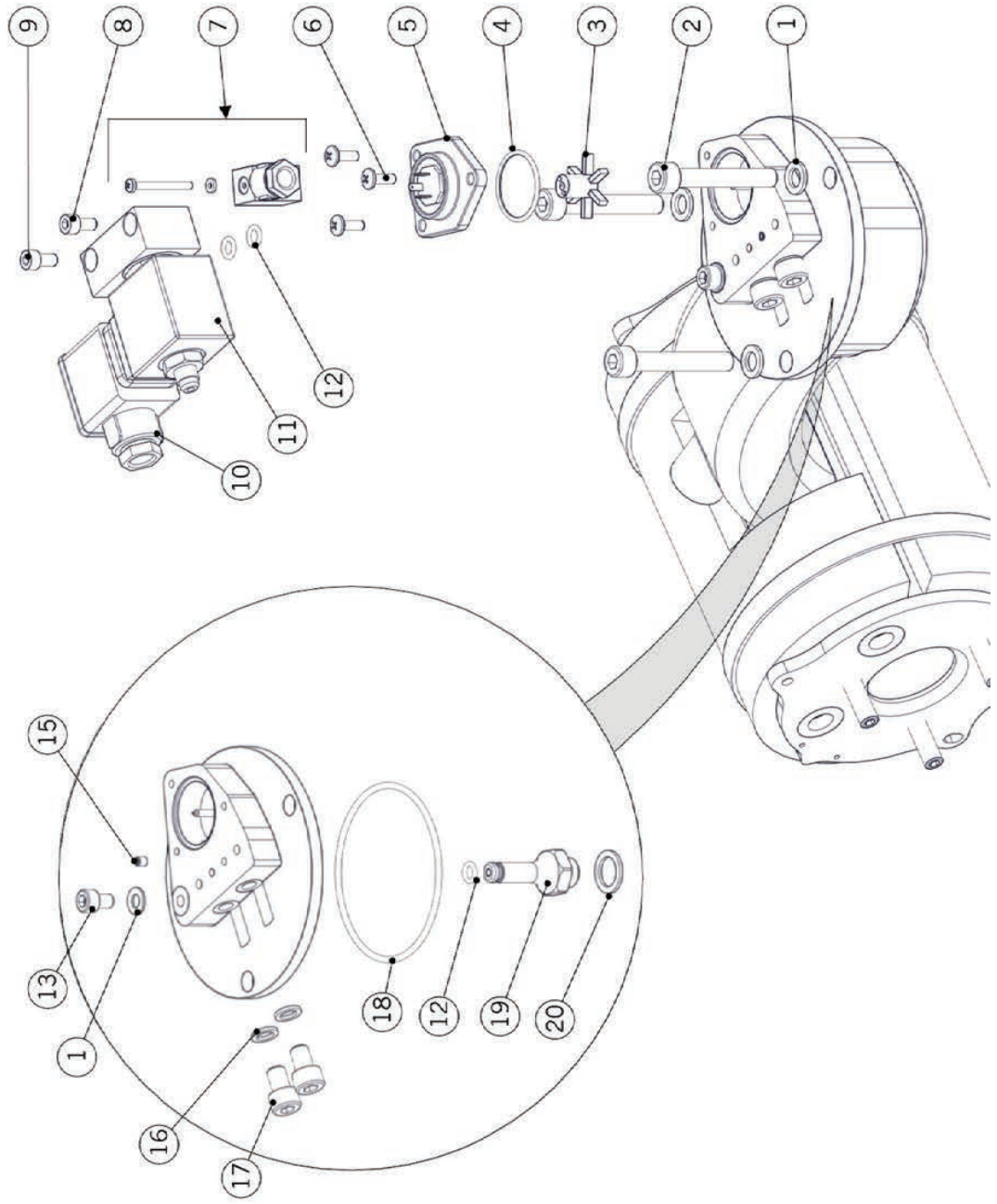
# SINGLE BOILER VERSION - COFFEE BOILER ASSEMBLY

<b>Caldia Caffè</b>				
Item	Part number/Codice	Description	* = Number of groups / Numero gruppi	
1	L1002	NUT M8 H8 WR13 S/S A2	DADO M8 H8 CH13 INOX A2	
2	L1003	WASHER 8,5X14X1,5 S/S A2	RONDELLA 8,5X14X1,5 INOX A2	
3	A.5.011	COFFEE BOILER PIN STRADA S/S	PERNO CALDAIA CAFFÈ' STRADA AISI 304	
4	C.1.102	BRACKET COFFEE BOILER CENTRAL STRADA	STAFFA CENTRALE CALDAIE CAFFÈ' STRADA	
5	I.1.049	NUT M6 H5 WR10 S/S A2	DADO M6 H5 CH10 INOX A2	
6	RONDELLA6X12	WASHER 6,4X12X1,5 S/S A2	RONDELLA 6,4X12X1,5 INOX A2	
7	I.1.058	SCREW M6X20 HEX HEAD S/S	VITE M6X20 TE INOX	
8	F.6.001.01	SPACER 8,4X25X6 AL	DISTANZIALE 8,4X25X6 ALLUMINIO	



**la marzocco**  
handmade in florence

# SINGLE BOILER VERSION - COFFEE BOILER ASSEMBLY



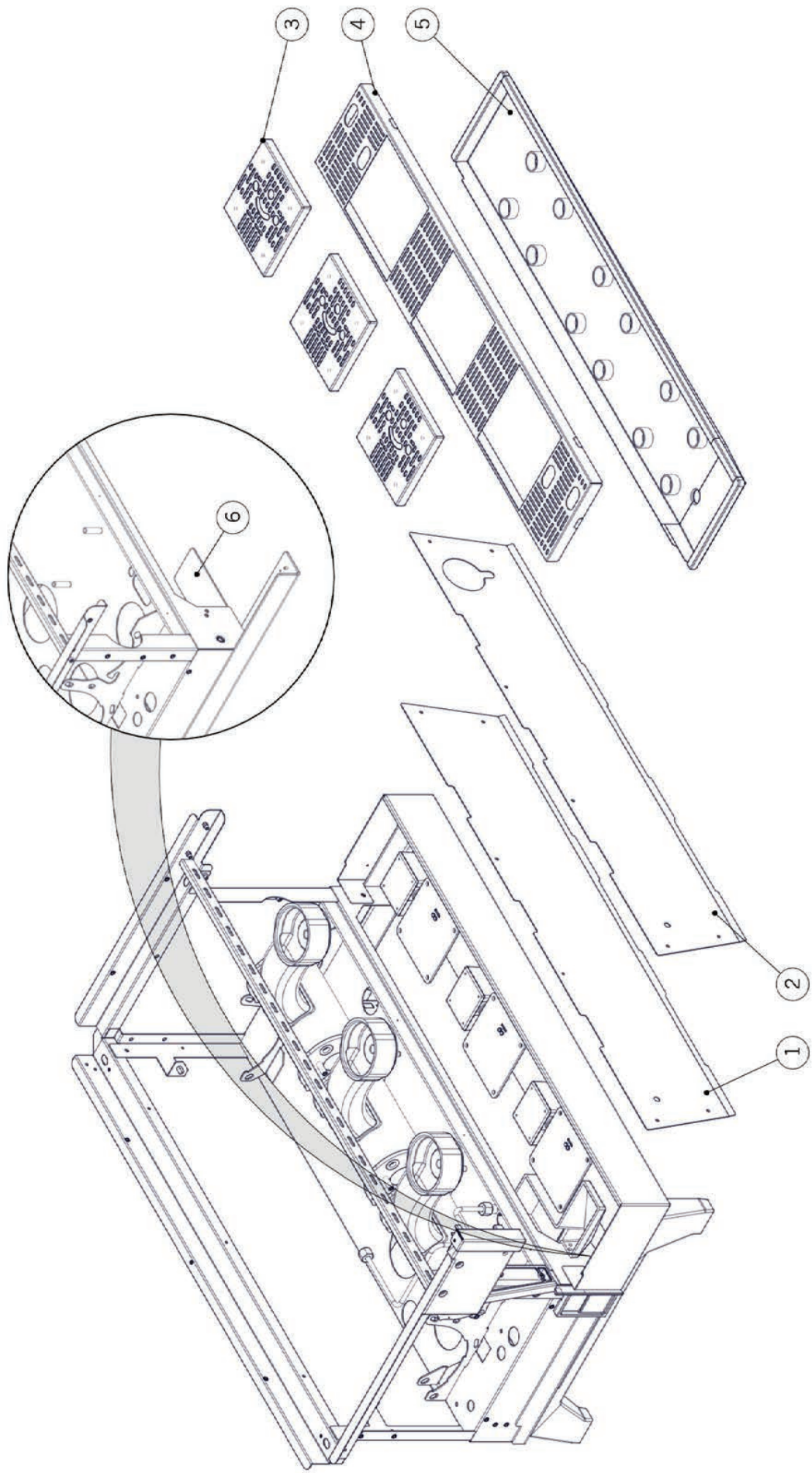






**la marzocco**  
handmade in florence

## SCALES VERSION - BODY PANEL ASSEMBLY







**la marzocco**  
handmade in florence

## SCALES VERSION - BODY PANEL ASSEMBLY

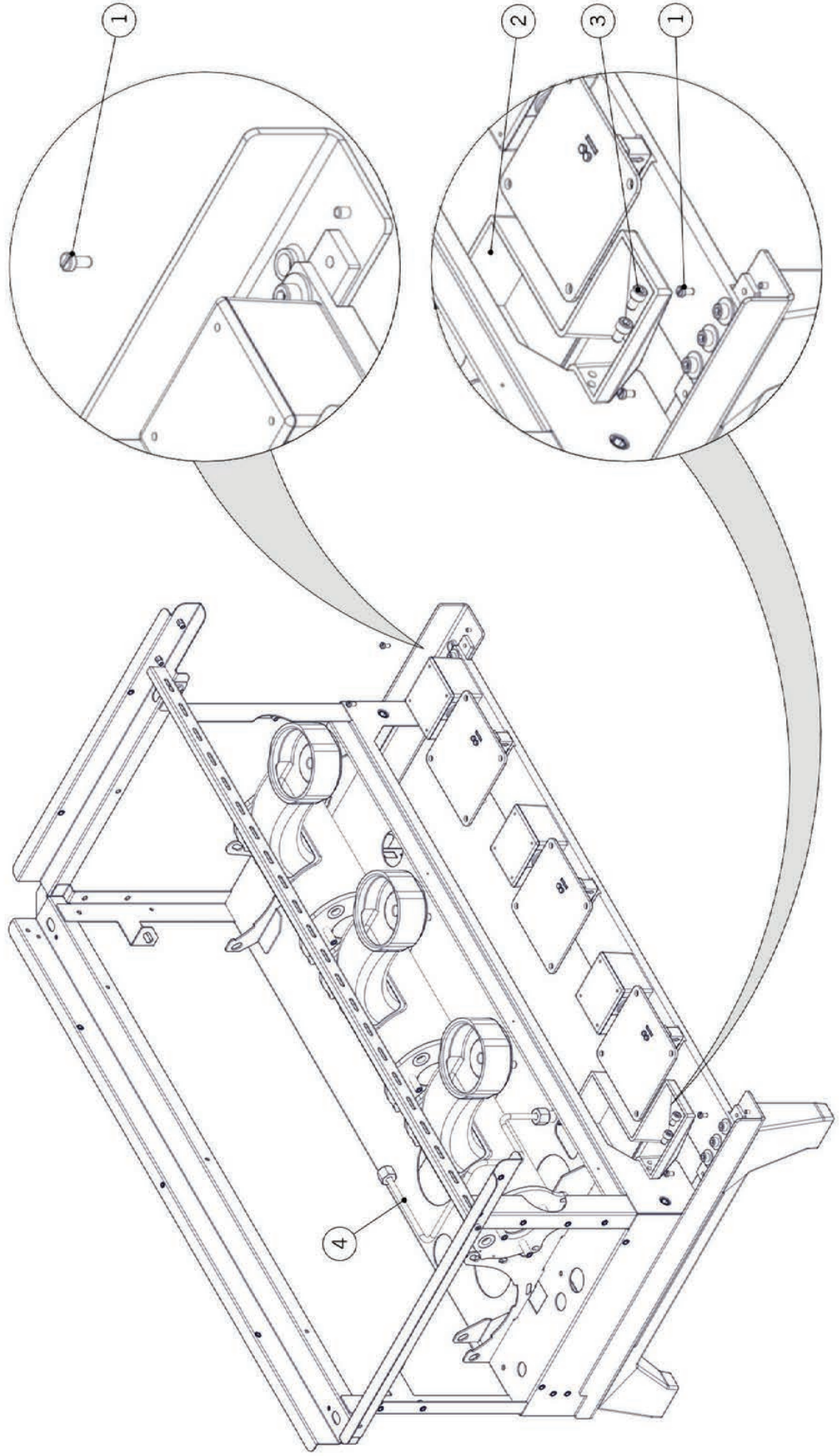
<b>Carrozzeria</b>		<b>Part number/Codice</b>	<b>Description</b>	<b>Descrizione</b>
1	C.1.215.*	PANEL MAIN SWITCH LINEA PB *GR W/SCALES	PANN.INTERR.GEN. LINEA PB *GR C/BILANCE	
2	C.1.219.*	PANEL SWITCH LINEA PB *GR SCALE/NO GLASS	PANN.INTERR. LINEA PB *GR BIL/NO OBLO'	
3	C.1.207.R	GRID SCALE COMPLETE LINEA PB	GRIGLIA BILANCIA COMPLETA LINEA PB	
4	C.1.331.*	LINEA PB DRAIN GRID *GR W/SCALES	GRIGLIA DI SCARICO LINEA PB *GR BILANCE	
5	C.1.206.*	TRAY DRAIN LINEA PB *GR W/SCALES	BACINELLA LINEA PB *GR C/BILANCE	
6	C.1.224	STAFFA POZZETTO BILANCE	STAFFA POZZETTO BILANCE	
Item	Part number/Codice	Description		Descrizione

\* = Number of groups / Numero gruppi



**la marzocco**  
handmade in florence

## SCALES VERSION - HYDRAULIC ASSEMBLY





**la marzocco**  
handmade in florence

## SCALES VERSION - HYDRAULIC ASSEMBLY

<b>Impianto Idrraulico</b>				
Item	Part number/Codice	Description	Description	Description
1	VITE4X8	SCREW M4X8 CHEESE BRASS	VITE M4X8 TC A TAGLIO OTTONE	
2	F.1.056	LINEA PB W/SCALES DRAIN BOX	POZZETTO DI SCARICO LINEA PB BILANCE	
3	I.1.011	SCREW M5X14 SOCKET CAP S/S A2	VITE M5X14 TC BRUGOLA INOX A2	
4	T.1.173	TUBE EXPANSION VALVE LINEA PB W/SCALES	TUBO V.ESPANSIONE LINEA PB BILANCE	
	T.1.174	TUBE EXP.V. LINEA PB MULTIPLE B./SCALES	TUBO V.ESP. LINEA PB BILANCE C.SINGOLE	

\* = Number of groups / Numero gruppi





**la marzocco**

handmade in florence

## SCALES VERSION - SCALES ASSEMBLY

Item	Part number/Codice	Description	Description	Description	Description
1	F.1.069	FIXING FOR CROSS BAR SCALES	FISSAGGIO TRAVERSA BILANCIA		
2	L165/9	WASHER 6,5X18X1,5 GALVANIZED	RONDELLA 6,5X18X1,5 ZINCATATA		
3	L120/2	SCREW M6X10 SOCKET CAP S/S A2	VITE M6X10 TC A BRUGOLA INOX A2		
4	C.1.225.*	BEAM SCALES *GR	TRAVERSA BILANCE *GR		
5	VITE4X8	SCREW M4X8 CHEESE BRASS	VITE M4X8 TC A TAGLIO OTTONE		
6	E.1.030.01	LOAD CELL	CELLA DI CARICO		
7	I.4.003	BRASS SPACER FOR SCALES	DISTANZIALE OTTONE BILANCE		
8	F.3.042	WEIGHT PLATE FOR SCALES	PIASTRA DISTRIBUZIONE PESO BILANCE		
9	I.1.083	VITE INOX ISO 4017 M3 X 30	VITE INOX ISO 4017 M3 X 30		
10	F.2.033	MEMBRANE GROMMET TPE D25.5 H8	PASSACAVO A MEMBRANA TPE D25.5 H8		
11	F.2.032	MEMBRANE GROMMET TPE D15.7 H6.4	PASSACAVO A MEMBRANA TPE D15.7 H6.4		
12	F.1.066	LOAD CELL ELECTRONIC BOARD BOX COVER	COPERCHIO SCATOLA SCHEDA CELLE DI CARICO		
13	E.1.031	LOAD CELL ELECTRONIC BOARD	SCHEDA ELETTRONICA CELLE DI CARICO		
14	VITE3X10	SCREW M3X10 PHILLIPS ROUND-PAN S/S A2	VITE M3X10 TCB A GROCE INOX A2		
15	F.1.067	LOAD CELL ELECTRONIC BOARD BOX	SCATOLA SCHEDA CELLE DI CARICO		
16	RONDELLAM3	SPLIT WASHER 3X6X0,5 S/S A2	ROND.SPACCATA 3X6X0,5 INOX A2		
17	E.4.076	Connection Cable for Scales	CAVO COLLEG. BILANCE CON CENTRALINA		
18	E.4.058	CAVETTO COMUNIC. SCHEDA BILANCIA 33CM	CAVETTO COMUNIC. SCHEDA BILANCIA 33CM		

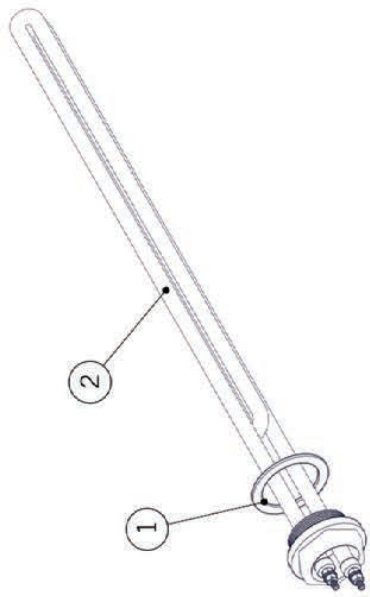
\* = Number of groups / Numero gruppi

**Bilance**

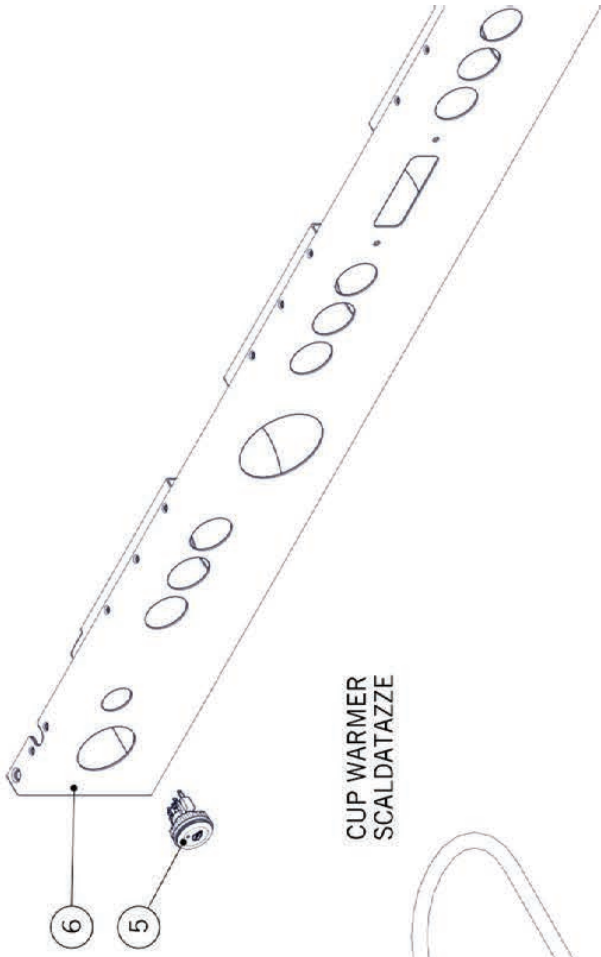


**la marzocco**  
handmade in florence

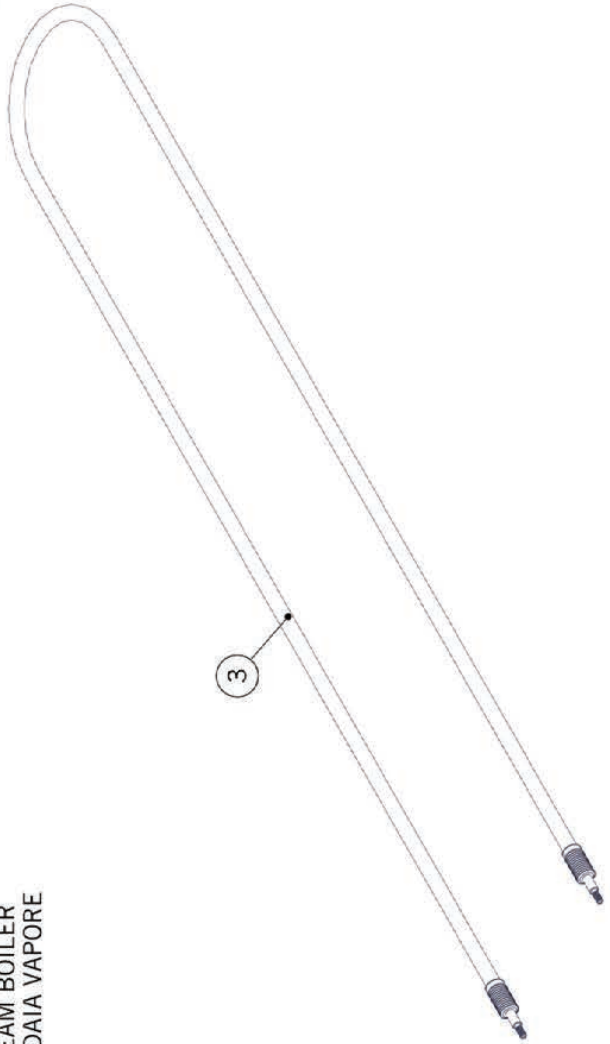
## HEATING ELEMENTS



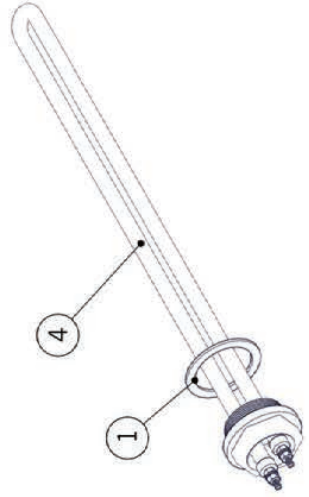
STEAM BOILER  
CALDAIA VAPORE



CUP WARMER  
SCALDATAZZE



COFFEE BOILER  
CALDAIA CAFFE'







**la marzocco**  
handmade in florence

# HEATING ELEMENTS

Item		Part number/Codice	Description	Description
<b>2 GROUPS / 2 GRUPPI</b>				
9	STEAM BOILER			
	STANDARD	LR342/220B.03	HEATING ELEMENT W2000 V220 CM29 1-1/4 RP	RESISTENZE PER CALDAIA VAPORE
	HIGH	LR350/380B.03	HEATING ELEMENT W2000 V380 CM29 1-1/4 RP	RES. EL. W2000 V220 CM29 1-1/4 RP
	AU	LR358/200B.03	HEATING ELEMENT W2000 V200 CM29 1-1/4 RP	RES. EL. W2000 V380 CM29 1-1/4 RP
		LR357/200B.03	HEATING ELEMENT W3000 V200 CM39 1-1/4 RP	RES. EL. W2000 V200 CM29 1-1/4 RP
		LR357/220B.03	HEATING ELEMENT W3000 V220 CM39 1-1/4 RP	RES. EL. W3000 V200 CM39 1-1/4 RP
		LR357/380B.03	HEATING ELEMENT W3000 V380 CM39 1-1/4 RP	RES. EL. W3000 V220 CM39 1-1/4 RP
		E.6.017	HEATING ELEMENT W3000 V240 CM39 1-1/4 RP	RES. EL. W3000 V380 CM39 1-1/4 RP
				RES. EL. W3000 V240 CM39 1-1/4 RP
	COFFEE BOILER			RESISTENZE PER CALDAIA CAFFE'
	STANDARD	LR365/200.03	HEATING ELEMENT W1400 V200 CM43 1-1/4 RP	RES. EL. W1400 V200 CM43 1-1/4 RP
		LR365/220.03	HEATING ELEMENT W1400 V220 CM43 1-1/4 RP	RES. EL. W1400 V220 CM43 1-1/4 RP
		LR365/380.03	HEATING ELEMENT W1400 V380 CM43 1-1/4 RP	RES. EL. W1400 V220 CM43 1-1/4 RP
	CUPWARMER			RESISTENZA SCALDATAZZE
		LR370	CUPWARMER HEATING ELEMENT 280W 220V	RES. SCALDATAZZE 280W 220V
1		LR360	1-1/4 HEATER ELEMENT GASKET	GUARNIZIONE PIANA DM.55X42X2
5		E.2.052	TASTO SCALDATAZZE LASERATO LED BIANCHI	TASTO SCALDATAZZE LASERATO LED BIANCHI
6		C.1.229.*	PANEL SWITCH LINEA PB *AV W/CUPWARMER	PANNELLO INTERR.LINEA PB *AV C/SCALD.
		C.1.229.*.L	SWITCH PANEL LINEA PB *AV W/LED/CUPWARM.	PANN. INTERR.LINEA PB *AV C/LUCI/SCALD.
		C.1.230.*	PANEL CONTROL LINEA PB *MP W/CUPWARMER	PANNELLO COMANDO LINEA PB *MP C/SCALD.
		C.1.230.*.L	CONTROL PANEL LINEA PB *MP W/LED/CUPW.	PANN. COMANDO LINEA PB *MP C/LUCI/SCALD.
			STEAM BOILER HEATING ELEMENTS	RESISTENZE PER CALDAIA VAPORE

\* = Number of groups / Numero gruppi

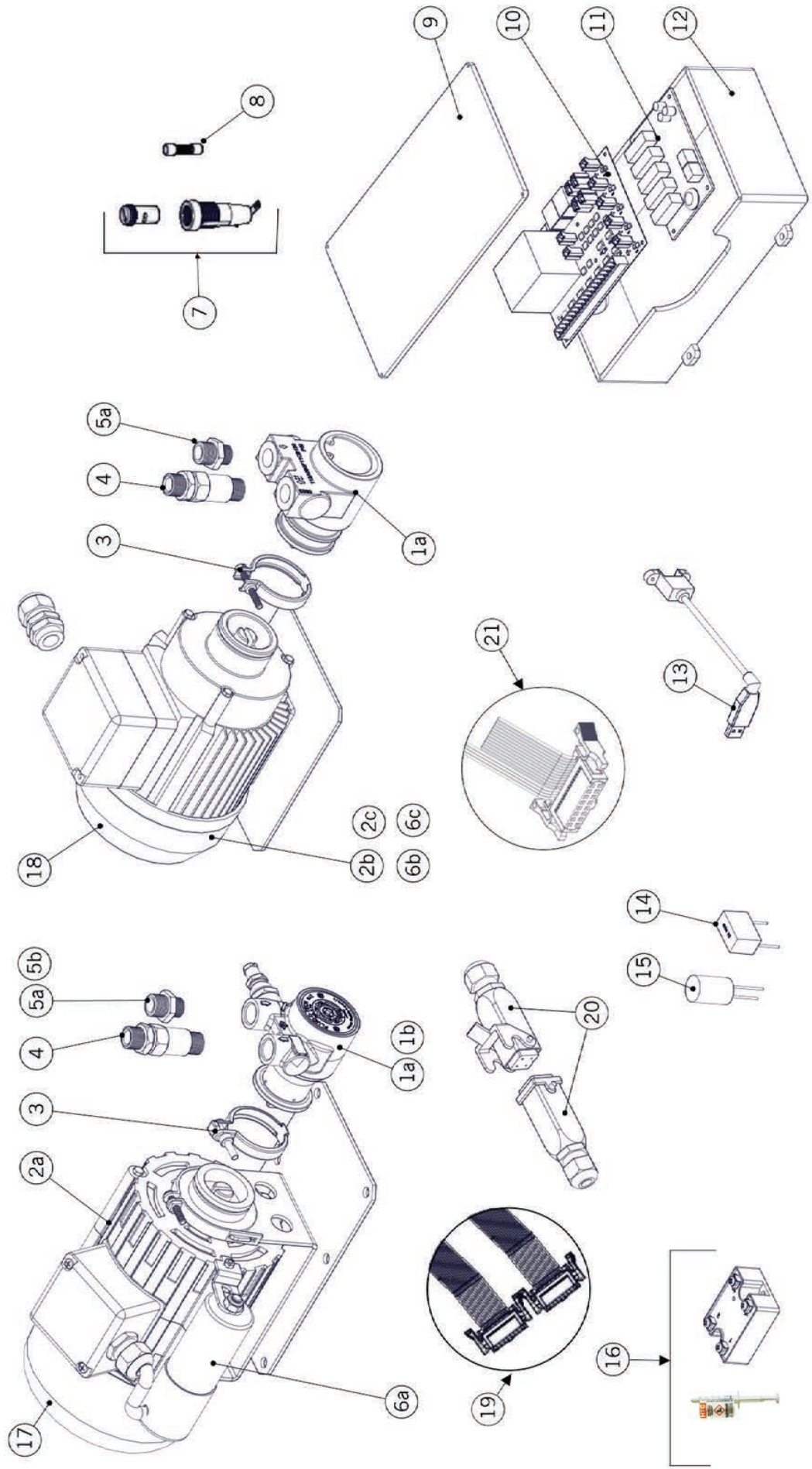






**la marzocco**  
handmade in florence

# ELECTRICAL SYSTEM AND PUMP





**la marzocco**

handmade in florence

## ELECTRICAL SYSTEM AND PUMP

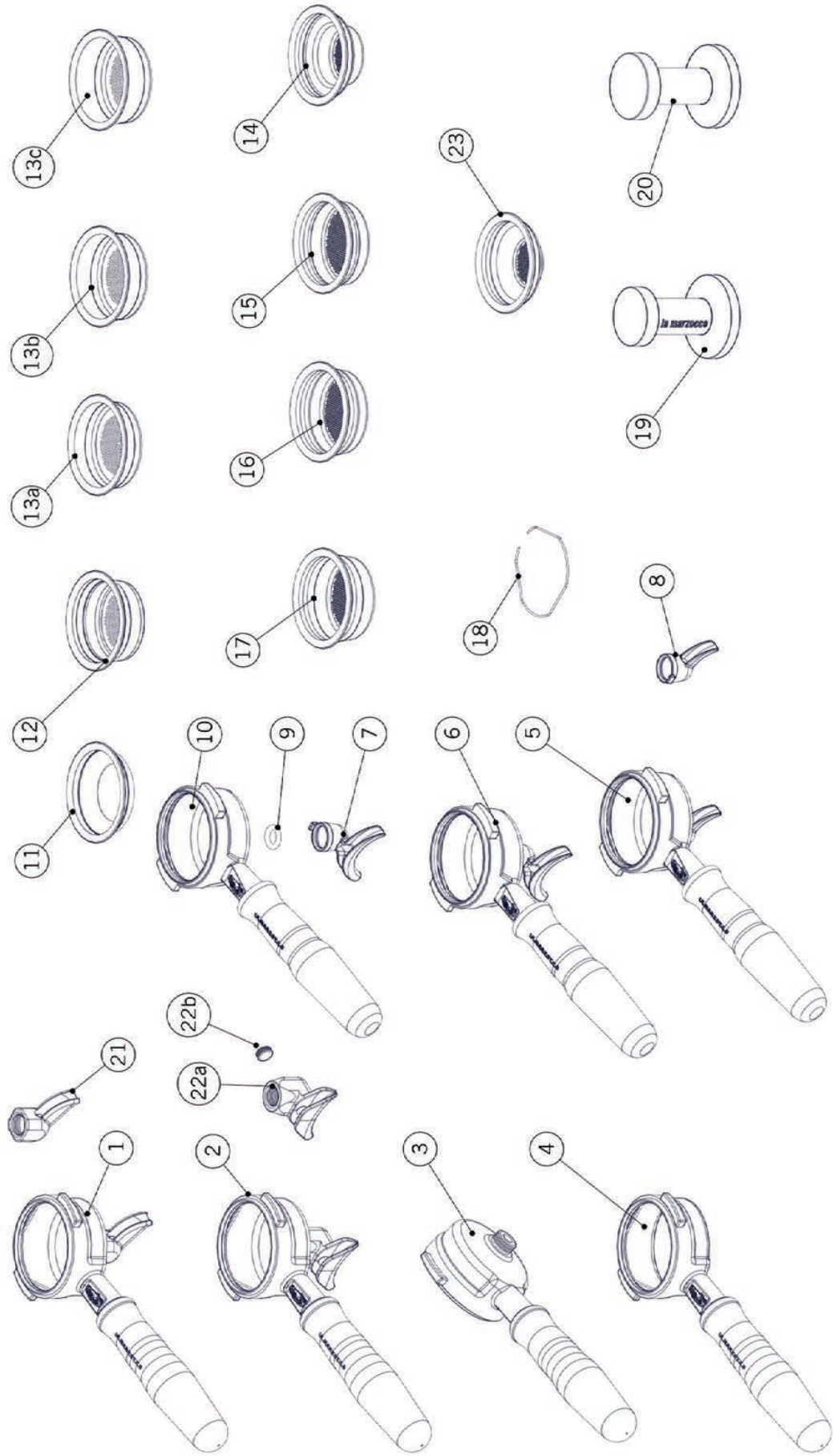
1a	L290/1.01	PUMP 150 LT/H	CORPO POMPANTE 150 L/H
1b	L290/2.01	PUMP 200 LT/H	CORPO POMPANTE 200 L/H
2a	L290/8UL	UL PUMP MOTOR V.220 50/60 HZ	MOTORE CARENATO CHIUSO
2b	L290/5	MOTOR RPM CE	MOTORE CARENATO CE V.220 Hz.50
2c	L290/7	MOTOR PUMP 200V 50/60HZ	MOTORE CARENATO V.200 Hz.50/60
3	L290/C	PUMP CLAMP	FASCETTA PER POMPA
4	L032/P.01	CHECK VALVE G3/8M TREATED	VALVOLA DI RITEGNO G3/8M TRATTATA
5a	L305/N.01	G3/8" M-G3/8" M NIPPLE FITTING	NIPPLLO 3/8 M - 3/8 M C/TRATT TEA
5b	L306/G.01	G3/8-3/8" COMPRESSION FITTING TREATED	NIPPLLO G3/8-3/8 COMPRESSION TRATTATO
6a	L290/CUL	10microF CAPACITOR (L290/8UL MOTOR)	CONDENSATORE 10MF X MOTORE
6b	L290/5C	6.3microF CAPACITOR (L290/5 MOTOR)	CONDENSATORE 6.3MF X MOTORE
6c	L290/7C	8microF CAPACITOR (L290/7 MOTOR)	CONDENSATORE 8MF
7	E.2.004	UL FUSE HOLDER	PORTAFUSIBILE UL
8	E.2.003	UL FUSE FOR GB/5 2A 250V.	FUSIBILE UL X GB/5 2A 250V.
9	F.1.044	LINEA PB ELECTRONIC BOARD BOX COVER	COPERCHIO SCATOLA SCHEDA ELETTRONICA LIN
10	E.1.023	UNIVERSAL BOARD	SCHEDA UNIVERSAL
	E.1.023.01	UNIVERSAL BOARD (MP VERSION)	SCHEDA UNIVERSAL (SOLO PER VERSIONE MP)
11	E.1.025	LINEA PB BOARD	SCHEDA LINEA PB
	E.1.025.01	LINEA PB BOARD (MP VERSION)	SCHEDA LINEA PB (SOLO PER VERSIONE MP)
12	F.1.043	LINEA PB ELECTRONIC BOARD BOX	SCATOLA SCHEDA ELETTRONICA LINEA PB
13	E.2.040	USB CABLE LINEA PB / STRADA EP	PROLUNGA USB PER LINEA PB / STRADA EP
14	L206	FILTER EMC FOR GB/5	FILTRO EMC PER GB/5
15	E.2.030	2x22nF+0,1microF FILTER	FILTRO 2x22nF+0,1microF
	E.4.010.01.R	SSR 25A 240V W/THERMAL COMPOUND	RELE' 25A 240V C/PASTA TERMICA
16	E.4.029.R	SSR 50A 240V W/THERMAL COMPOUND	RELE' 50A 240V C/PASTA TERMICA
	E.4.035.R	SSR 25A 480V W/THERMAL COMPOUND	RELE' 25A 480V C/PASTA TERMICA
17	F.6.004	PLASTIC FAN COVER - PUMP MOTOR	COPRIVENTOLA ZINCATO X MOTORE L290/8UL
18	L290/6	PLASTIC FAN COVER - PUMP MOTOR	COPRIVENTOLA PER MOTORE RPM
	LAD3D5/C05	3D5 BUTTON BOX CABLE CM110	CAVO PULSANTIERA 3D5 CM.110 CON ALETTA
19	LAD3D5/C06	3D5 BUTTON BOX CABLE CM140	CAVO PULSANTIERA 3D5 CM.140 CON ALETTA
20	E.4.044	PUMP CABLE W/RAPID WATERPROOF CONNECTOR	CAVO POMPA C/CONNETTORE RAPIDO IP67
21	E.4.066	LINEA PB AV TEA CABLE	CAVO TE' LINEA PB AV
<b>Item</b>	<b>Part number/Codice</b>	<b>Description</b>	<b>Descrizione</b>

\* = Number of groups / Numero gruppi



**la marzocco**  
handmade in florence

## PORTAFILTER ASSEMBLY







**la marzocco**

handmade in florence

# PORTAFILTER ASSEMBLY

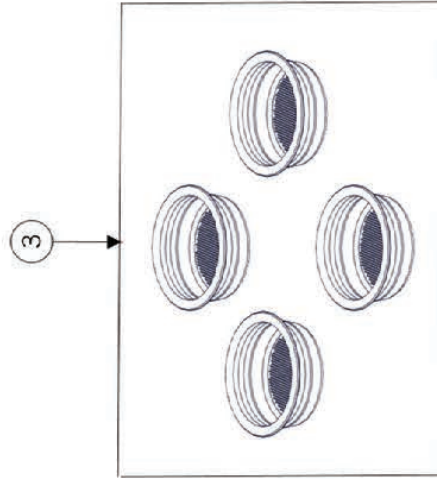
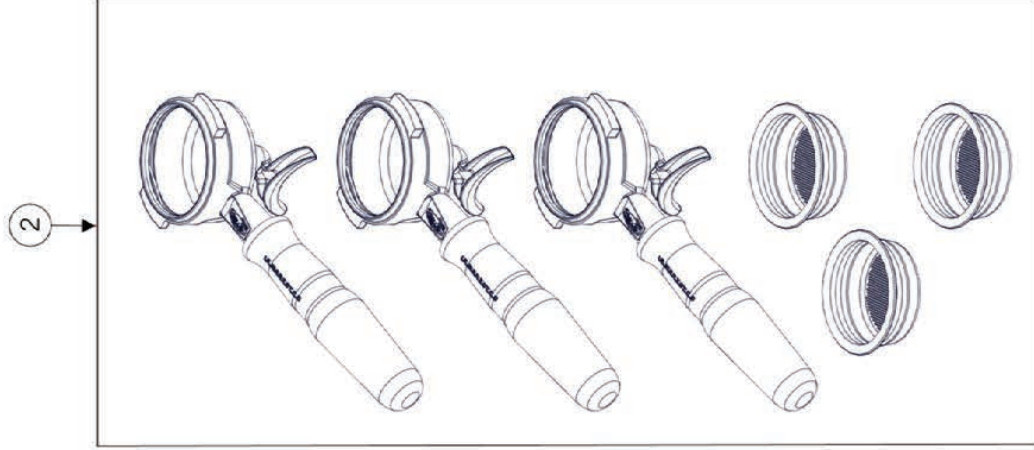
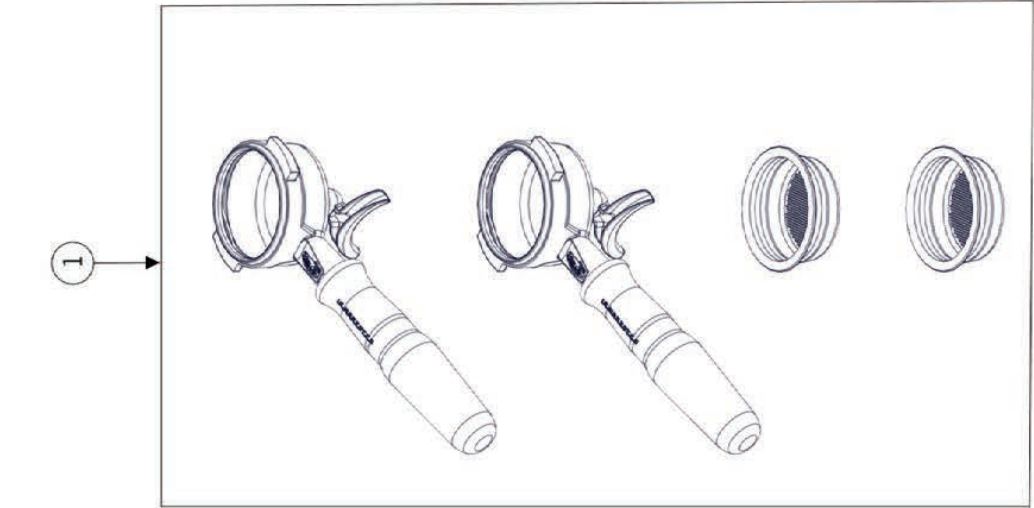
Item	Part number/Codice	Description	Description
1	L111/1	PORTAFILTER WITH 1 CUP SPOUT	PORTAFILTRO OTTONE 1 TAZZA
2	L111/2N	PORTAFILTER WITH 2 CUP SPOUT	PORTAFILTRO OTTONE 2 TAZZE FISSO
3	L111/LM12.01	PORTAFILTER W/TREATMENT FOR SANITATION	PORTAFILTRO OTTONE C/TRATT. ALIM.
4	L111/X	NAKED PORTAFILTER	PORTAFILTRO NUDO
5	L111/1AC	STAINLESS STEEL PORTAFILTER -1 CUP SPOUT	PORTAFILTRO INOX UNA TAZZA
6	L111/2NAC	S/S PORTAFILTER WITH 2 CUP SPOUT	PORTAFILTRO INOX 2 TAZZE FISSO
7	A.5.014.01	S/S DOUBLE SPOUT	BECCUCCIO DOPPIO INOX
8	A.5.013.01	S/S SINGLE SPOUT	BECCUCCIO SINGOLO INOX
9	H.1.017.02	O-RING 9,23x3,37 EPDM FDA	O-RING 9,23x3,37 EPDM FDA
	H.1.017	O-RING 2-204 3,53X9,12 EPDM 70 Sha	O-RING 3,53X9,12 EPDM 70 Sha
10	L111/SS.R	STAINLESS STEEL PORTAFILTER WITH HANDLE	PORTAFILTRO INOX CON MANICO
11	L115/C	BLIND FILTER	FILTRO CIECO X LAVAGGIO
12	L116/A/S	S/D SWIFT 2 CUPS FILTER	FILTRO A 2 TAZZE PER SWIFT SINGOLODOPPI
	L115/A/S	SINGLE FILTER	FILTRO A 1 TAZZA SINGOLODOPPIO
13a	5.1.28	19mm SWIFT FILTER BASKET	FILTRO SWIFT 19mm
13b	5.1.27	22mm SWIFT FILTER BASKET	FILTRO SWIFT 22mm
13c	5.1.33	TRIPLE SWIFT FILTER BASKET	FILTRO SWIFT TRIPLIO
14	F.3.029.GR	7g S/S FILTER BASKET	FILTRO INOX 7g
15	F.3.028.01	14g S/S FILTER BASKET	FILTRO INOX 14g
16	F.3.027.01	17g S/S FILTER BASKET	FILTRO INOX 17g
17	F.3.026.01	21g S/S FILTER BASKET	FILTRO INOX 21g
18	L113	SPRING D WIRE,1 S/S FILTER LOCK	MOLLA DFIL01,1 INOX FERMAFILTRO
19	F.3.045	S/S-ALUMINUM SINGLE-DOUBLE TAMPER	PRESSINO INOX-ALLUMINIO SINGOLO-DOPPIO
20	F.3.031.01	ANODIZED DOUBLE TAMPER S/S US VERSION	PRESSINO DOPPIO VERSIONE US ANODIZZATO
21	L115.01	SPOUT 1 CUP W/TREATMENT FOR SANITATION	BECCUCCIO SINGOLO C/TRATTAMENTO ALIM.
22a	L119.01	SPOUT 2 CUPS W/TREATMENT FOR SANITATION	BECCUCCIO DOPPIO C/TRATTAMENTO ALIM.
22b	L119/V	SCREW FOR DOUBLE SPOUT	VITE PER BECCUCCIO A 2 TAZZE
23	F.3.053	7G ITALIAN FILTER	7G FILTRO ITALIA
<b>Item</b>	<b>Part number/Codice</b>	<b>Description</b>	<b>Description</b>

\* = Number of groups / Numero gruppi



**la marzocco**  
handmade in florence

## SCALES VERSION - PORTAFILTER ASSEMBLY





**la marzocco**  
handmade in florence

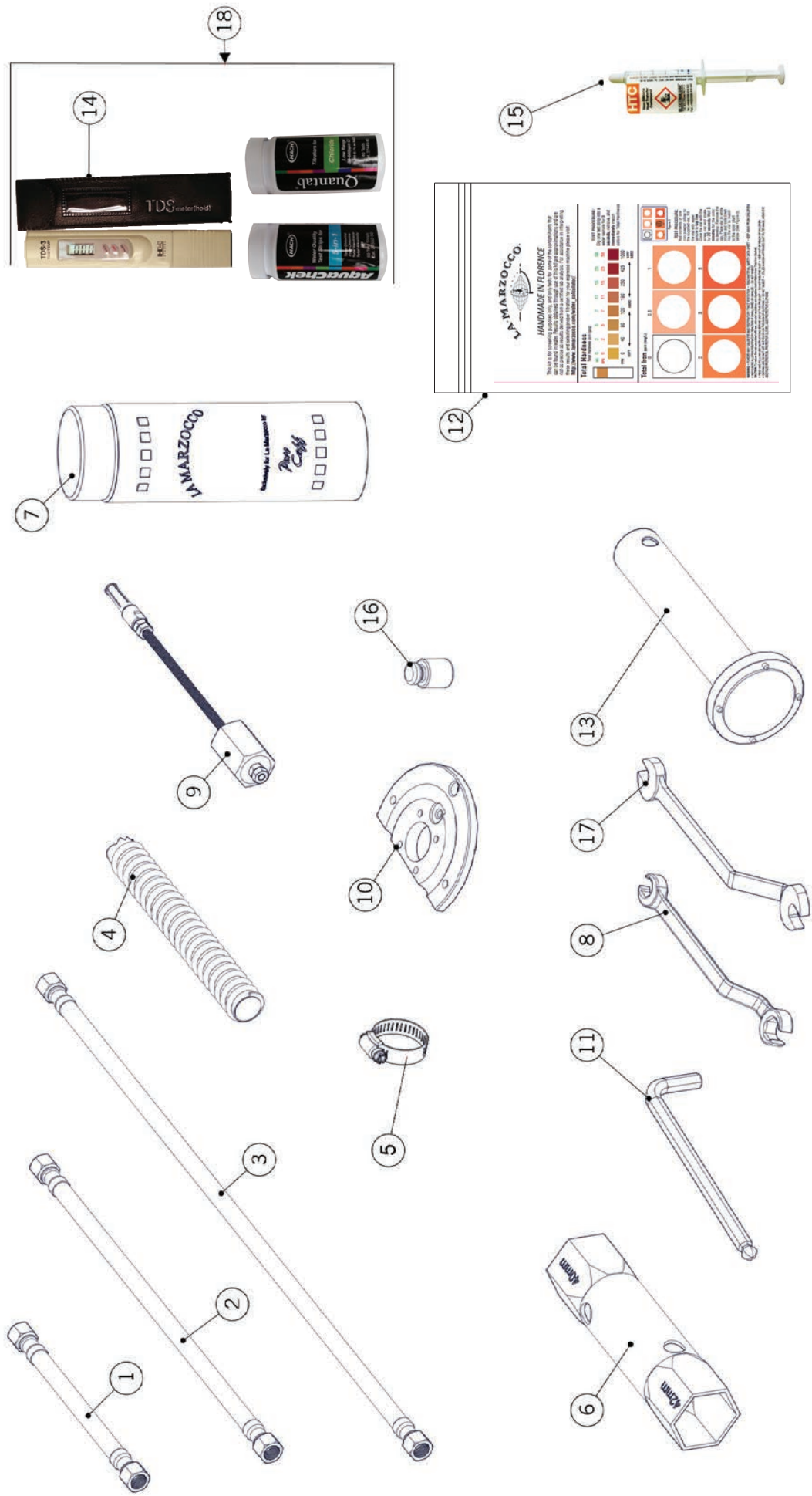
## SCALES VERSION - PORTAFILTER ASSEMBLY

<b>Portafiltri</b>		<b>Part number/Codice</b>	<b>Description</b>	<b>Descrizione</b>
1	931-2	2 PRECISION PORTAFILTER KIT	KIT 2 PORTAFILTRI DI PRECISIONE	
2	931-3	3 PRECISION PORTAFILTER KIT	KIT 3 PORTAFILTRI DI PRECISIONE	
3	932	4x 17g S/S PRECISION FILTER BASKET KIT	KIT 4 FILTRI 17G PESATI	
<b>Item</b>			<b>* = Number of groups / Numero gruppi</b>	<b>Descrizione</b>



**la marzocco**  
handmade in florence

# HOSE AND ACCESSORIES





LA MARZOCCO SRL  
Via La Torre, 14/H  
Localita' La Torre  
50038 Scarperia e San Piero  
(Florence) - ITALY  
T. +39 055 849 191  
F. +39 055 849 1990  
info@lamarzocco.com  
www.lamarzocco.com